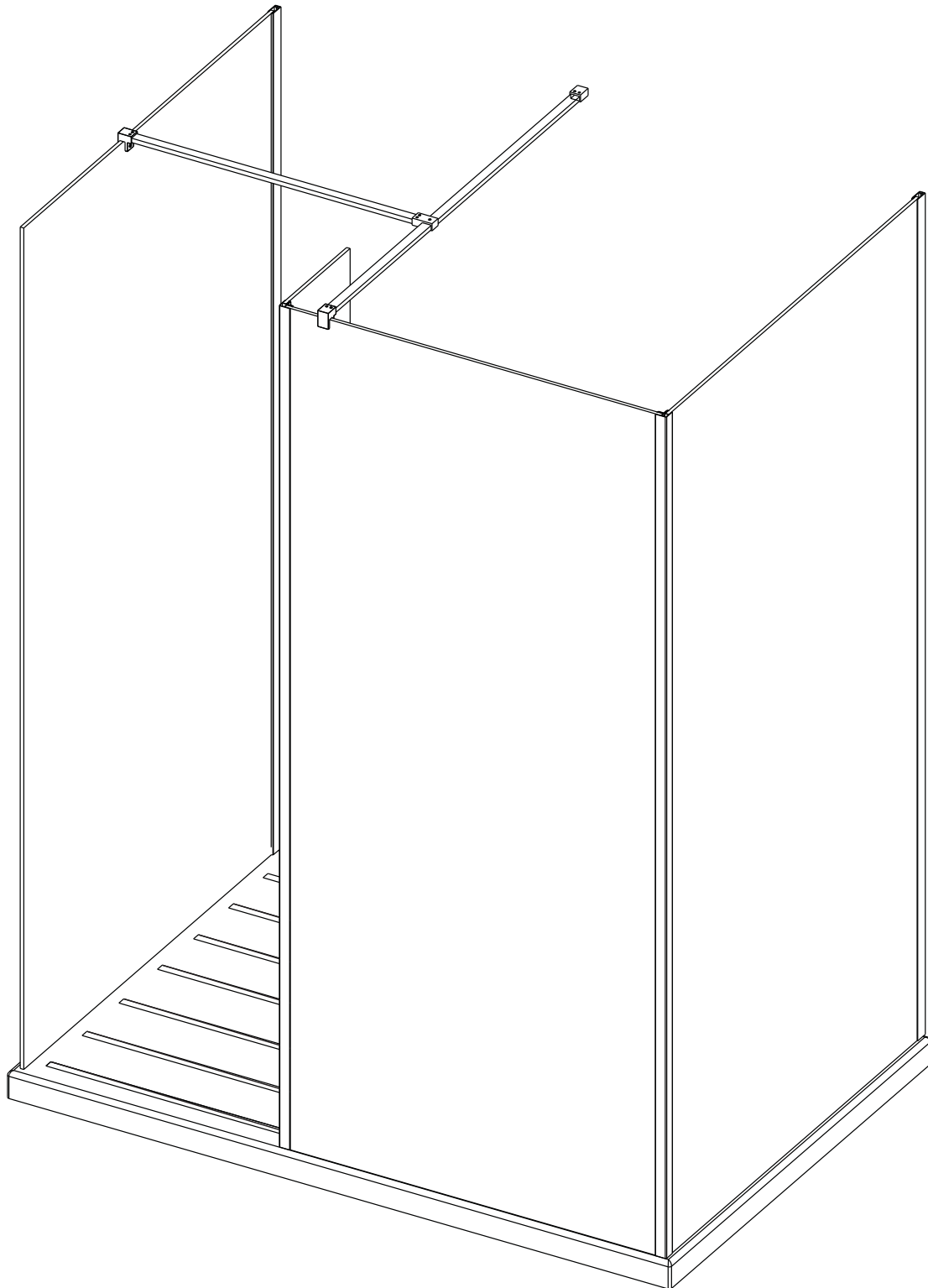


# VictoriaPlum.com

## ASSEMBLY INSTRUCTIONS

### 8mm Wet Room / Walk In



# BEFORE YOU START, HERE IS SOME IMPORTANT INFORMATION

## 1) General Information

Please inspect this product upon delivery. any missing parts or manufacturing defects must be reported immediately to the supplier. Damage or defects reported later will not be accepted. **TAKE CARE WHEN HANDLING GLASS PARTS-AVOID HEAVY CONTACT BETWEEN THE GLASS EDGES AND ANY HARD SURFACE.**

Glass breakage claims will not be accepted after the product has been unpacked.

Please note: Aluminium is a soft metal, and undergoes a series of extrusion. fabrication, polishing and anodising processes in order to create your finished shower enclosure. Some light surface marks are normal, and is a result of the manufacturing processes. Quality control has ensured that this item is of a good standard, and is fit for purpose.

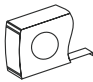


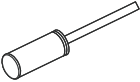
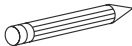
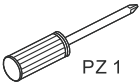

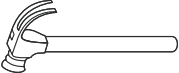
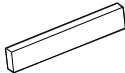
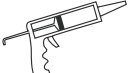
## 2) Additional Notes

Please read these instructions carefully before starting installation.

Special care should be taken when drilling walls to avoid hidden pipes or electrical cables.

Note: this product is heavy and may require two people to install.

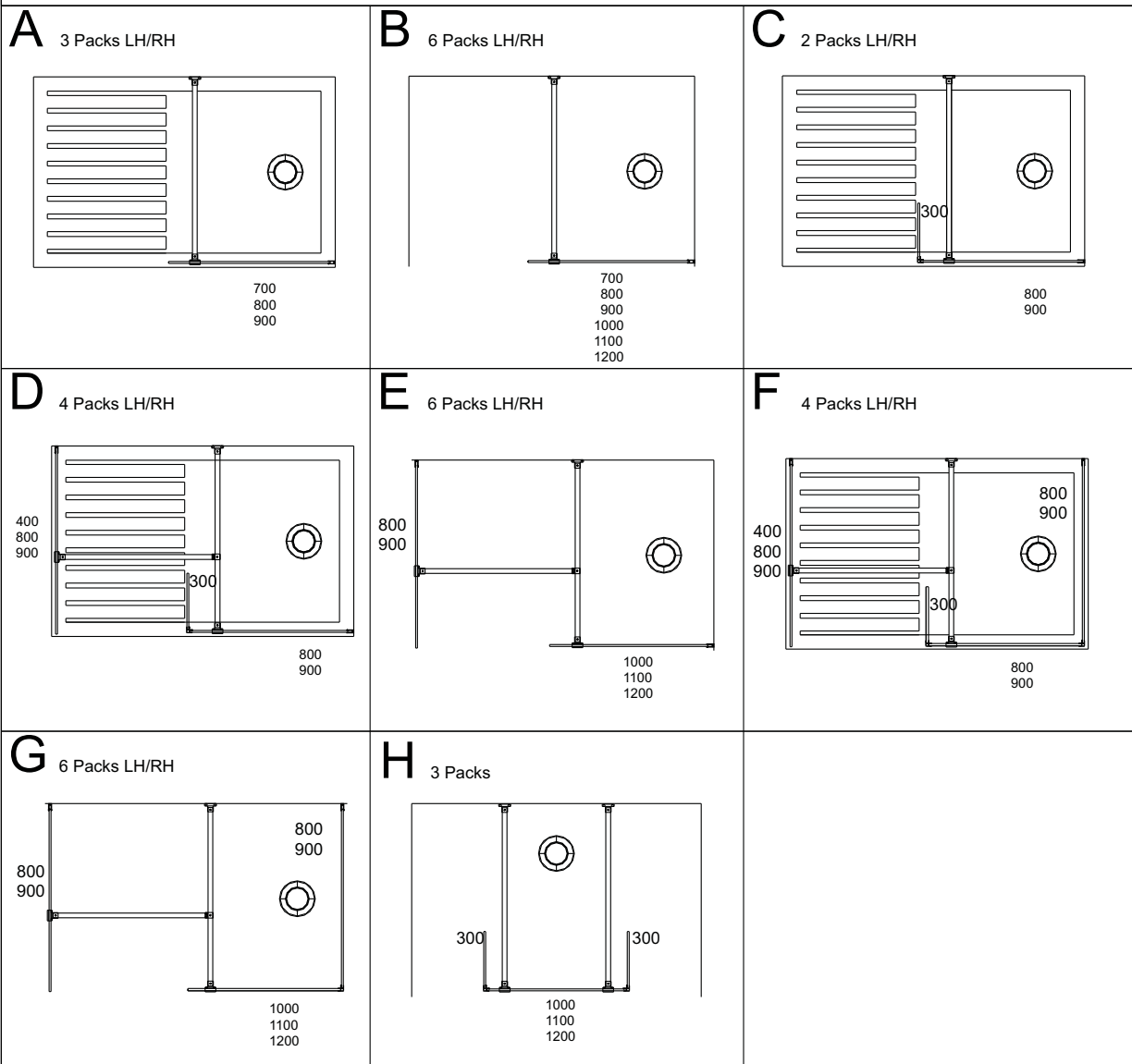
## TOOLS REQUIRED

DESCRIPTION	PART IMAGE	DESCRIPTION	PART IMAGE
Tape measure		Drill	
Spirit level		Flat-head Screwdriver	
Pencil		Cross head Screwdriver	 PZ 1
Ø6mm Drill bit		Hammer	
Wedge Seal Tool (Supplied with Pack1 glass packs)		Silicone Sealant	

 **This product is heavy and may require two people to install.**

# ASSEMBLY INSTRUCTIONS-LAYOUTS

## 8mm Walk-in Shower Enclosure / Wetroom Packs



Layout	Packs Required	
	A	1/4/8
B	1/4/6	
C	1/3/4/8	
D	1(*2)/3/4/5/8	
E	1(*2)/3/4/5/6	
F	1(*2)/2/3/4/5/8	
G	1(*2)/2/3/4/5/6	
H	1/3(*2)/4(*2)/6	

<b>PACK1</b>	Glass panel 8MM *1900 + Wall profile + Wedge gasket seal	379/679/779/879/979/1079/1179
<b>PACK2</b>	Glass panel 8MM *1900 + Corner post 1900mm + Wedge gasket seal	779/879/979/1079/1179
<b>PACK3</b>	Corner post profile and Return panel	
<b>PACK4</b>	Support bar(1M)+ Wall bracket + Glass clamp	
<b>PACK5</b>	Support bar(1M)+ Glass clamp + T piece connector bracket	
<b>PACK6</b>	1400x900/1600x900/1800x900 End Waste Pack	
<b>PACK7</b>	1200x900/1400x900/1800x900 Centre Waste Pack	
<b>PACK8</b>	WRT1490/WRT1680/TR07 c/w waste	

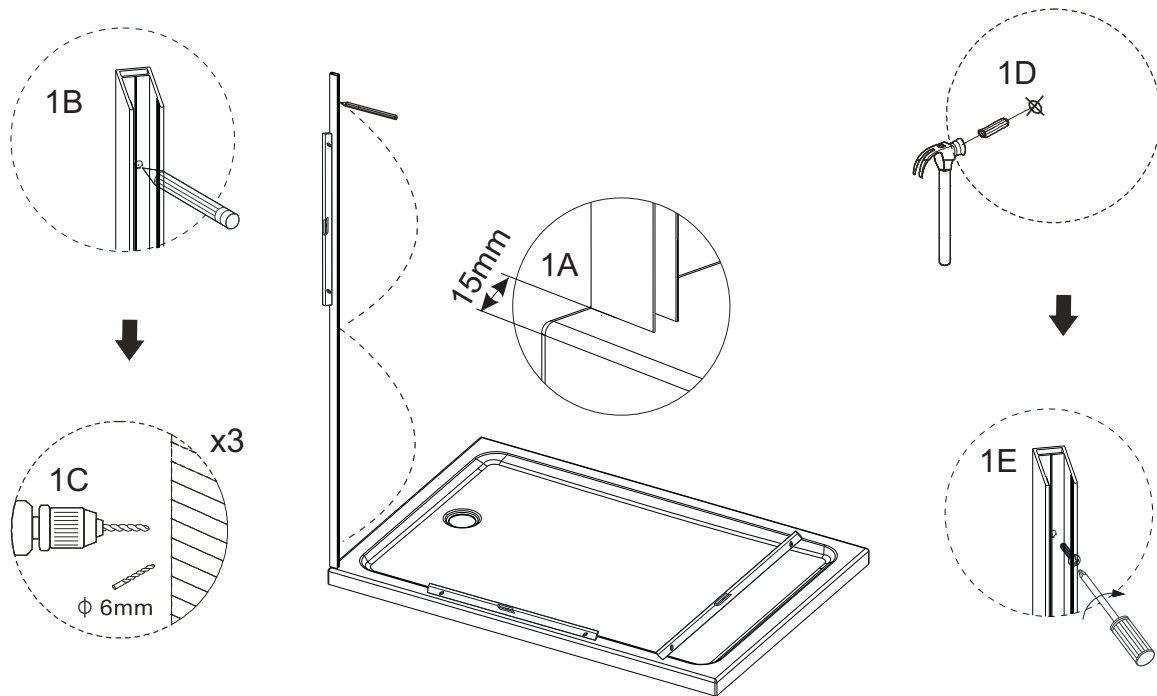
# ASSEMBLY INSTRUCTIONS

If you require help, we advise you to contact a competent plumber

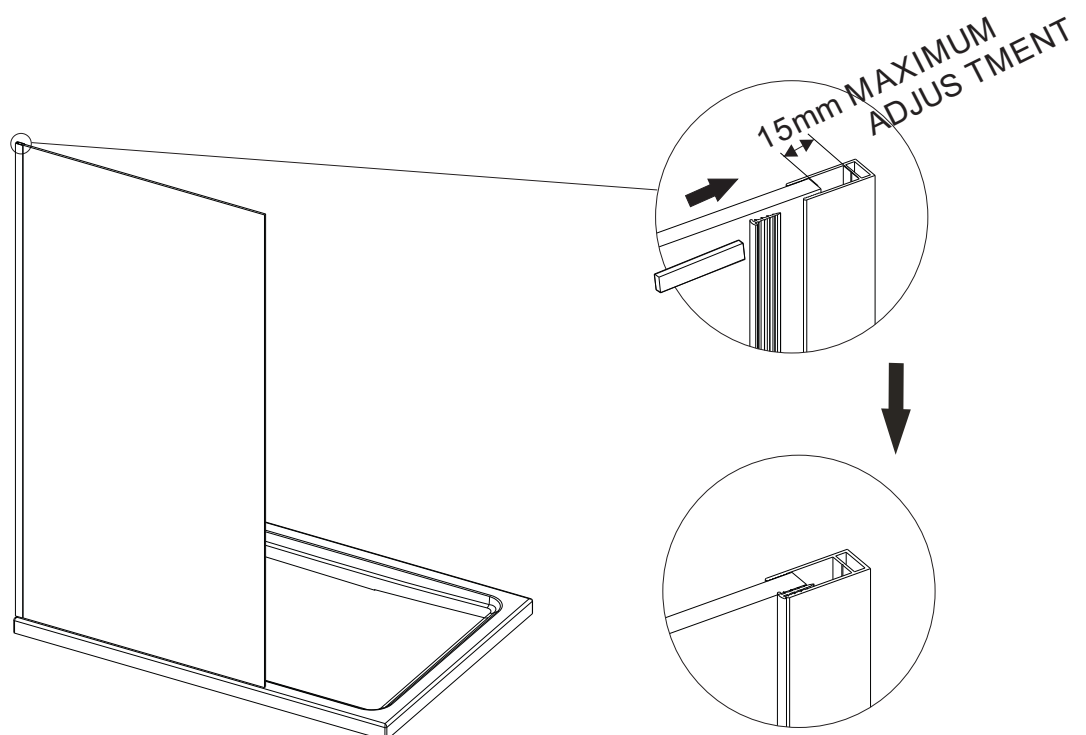
## Installation Steps

**MAKE SURE THE TRAY IS LEVEL, USING A SPIRIT LEVEL, BEFORE INSTALLING THIS SHOWER PANEL / DOOR THIS. PRODUCT CAN ALSO BE INSTALLED DIRECTLY ONTO A WET ROOM FLOOR**

### Step 1 - INSTALLING FRONT PANEL

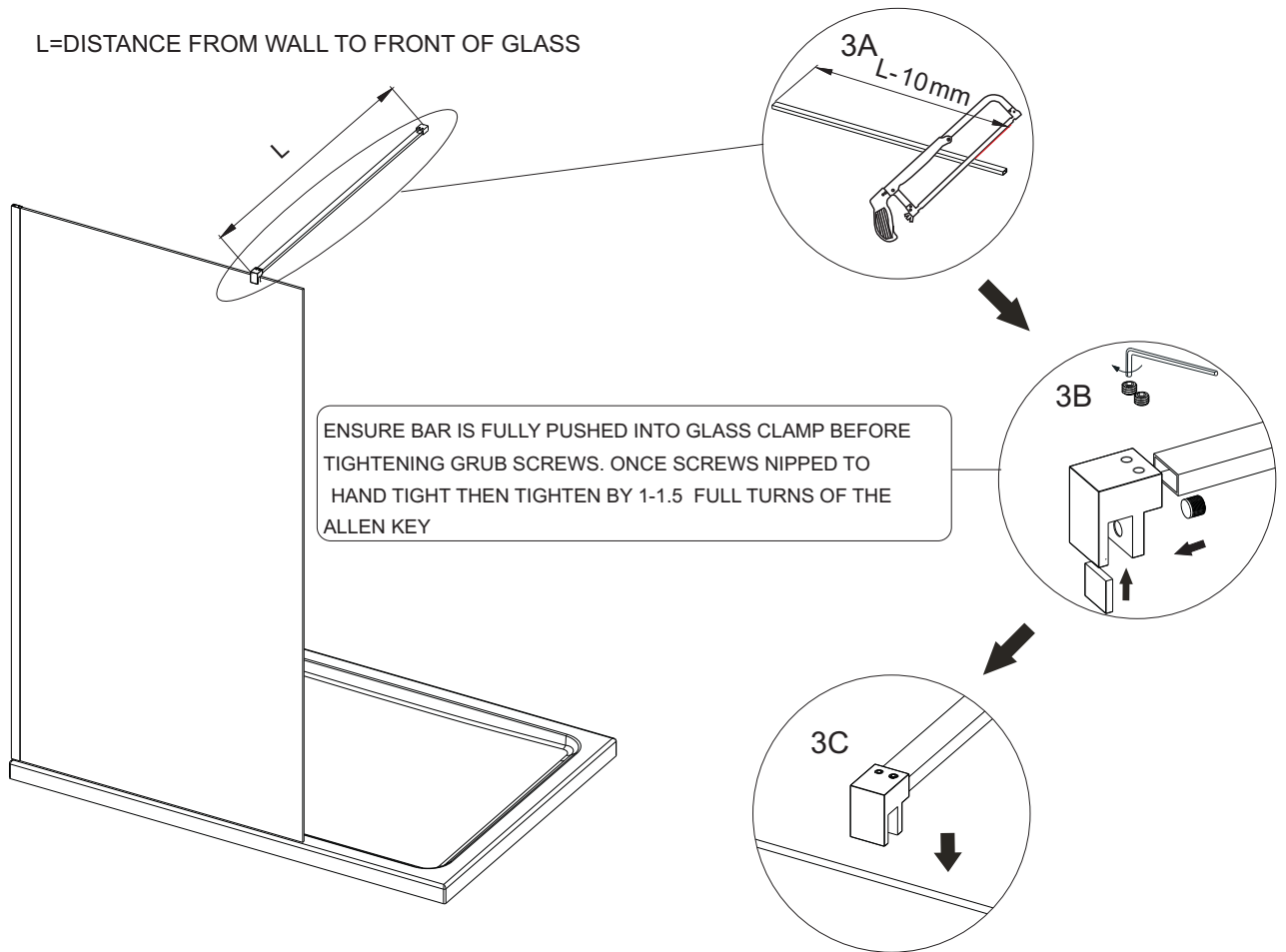


### Step 2

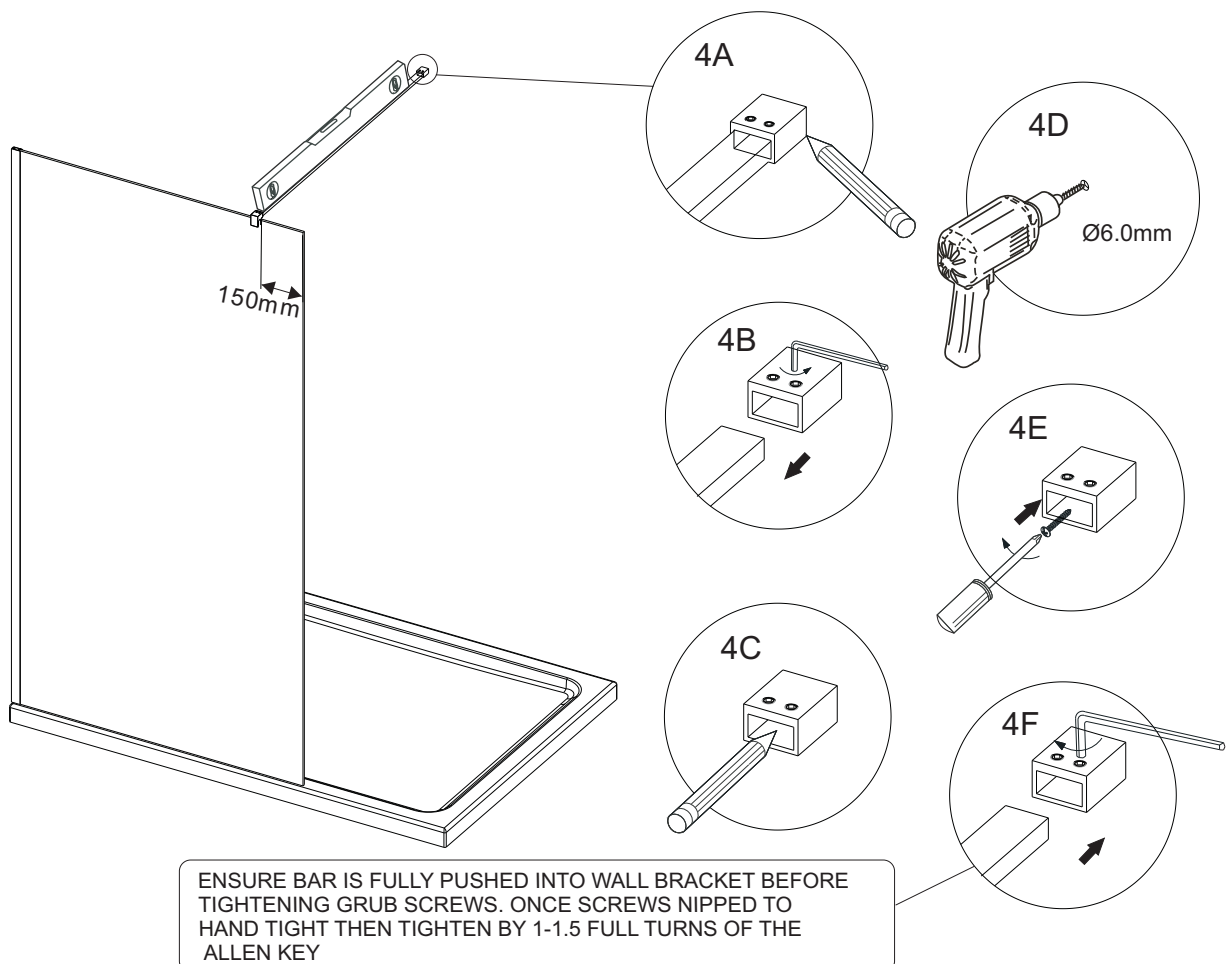


### Step 3

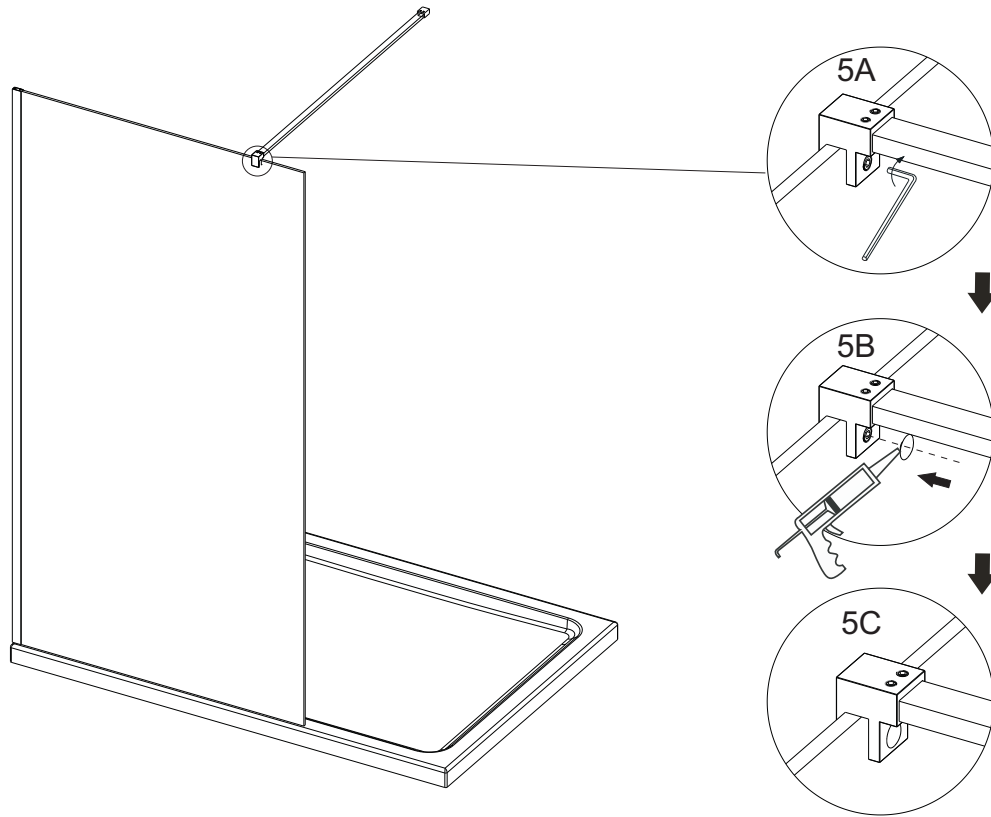
L=DISTANCE FROM WALL TO FRONT OF GLASS




### Step 4

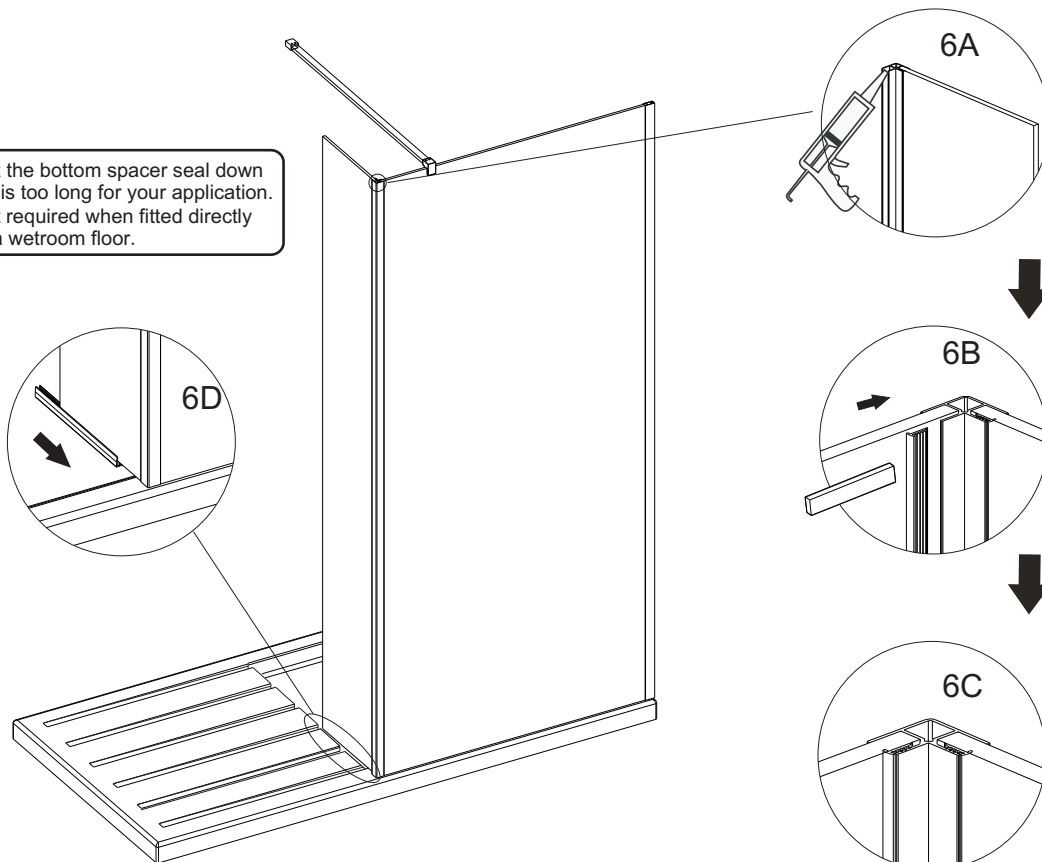


## Step 5

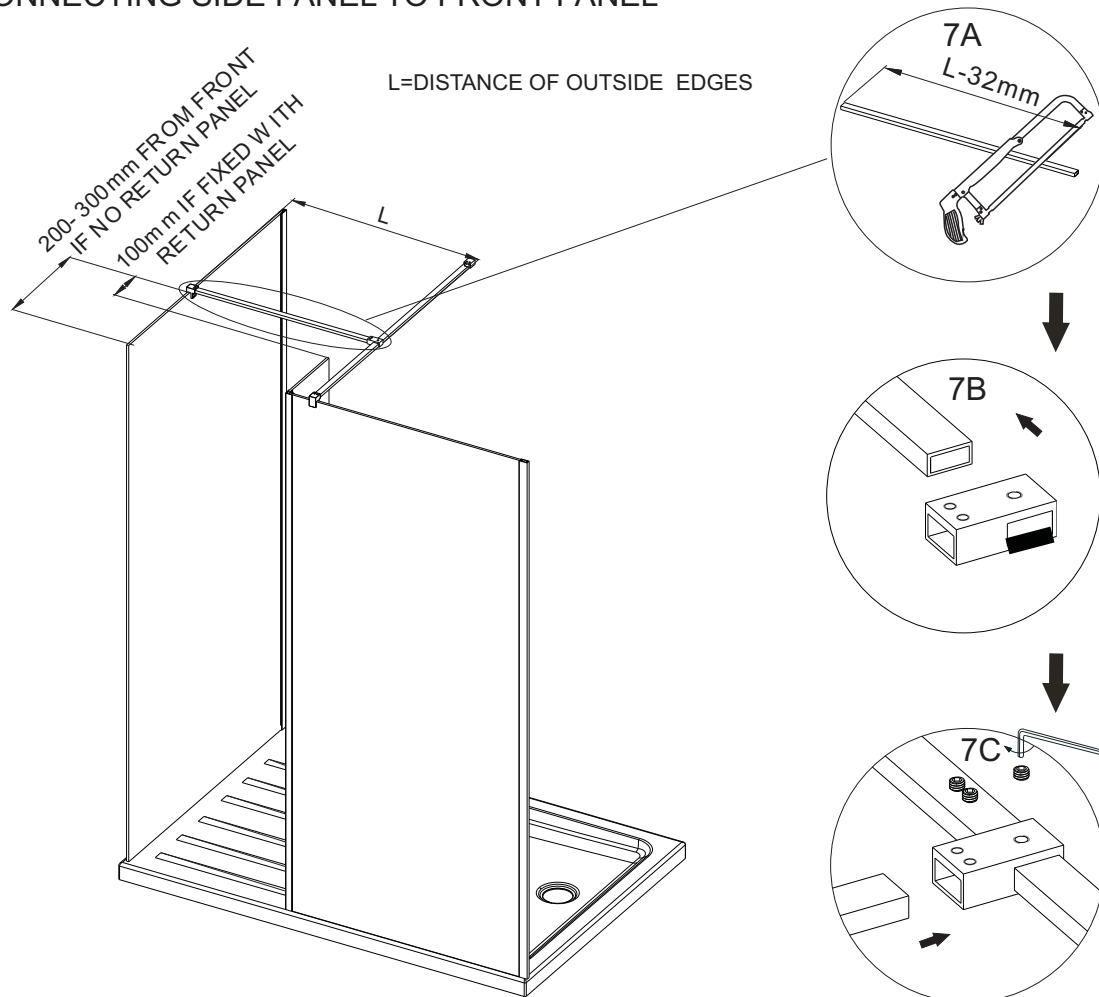


## Step 6 - INSTALLING RETURN PANEL

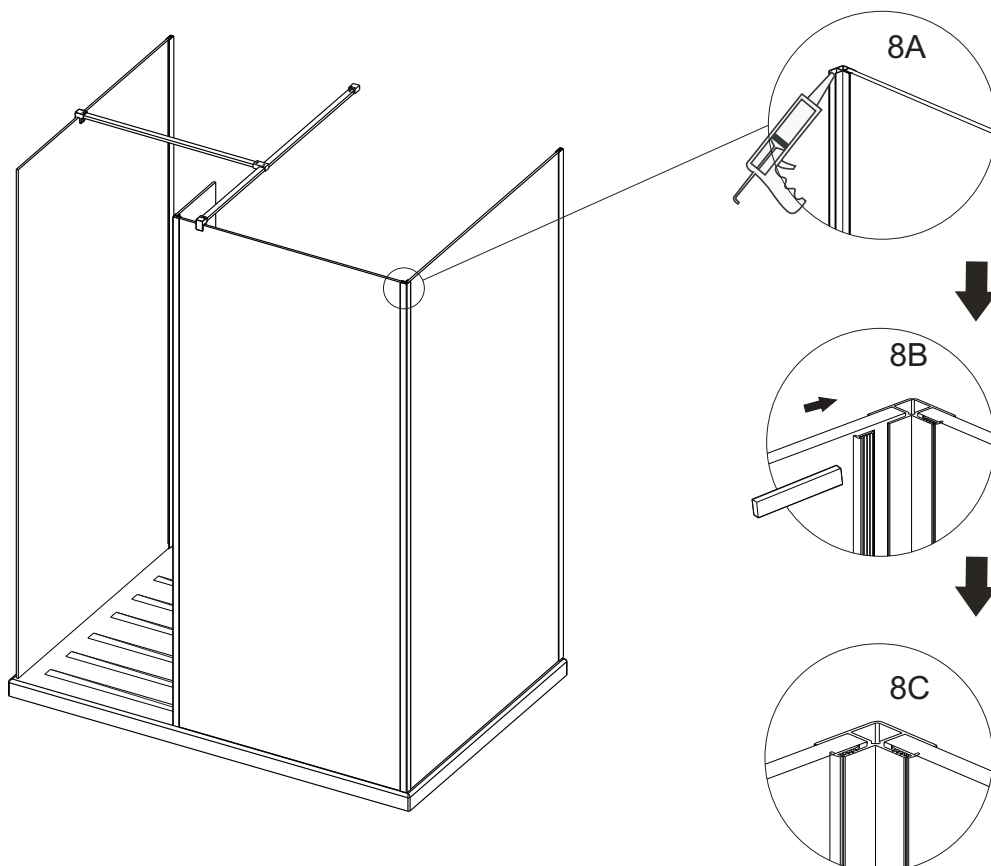
 Cut the bottom spacer seal down if it is too long for your application. Not required when fitted directly to a wetroom floor.



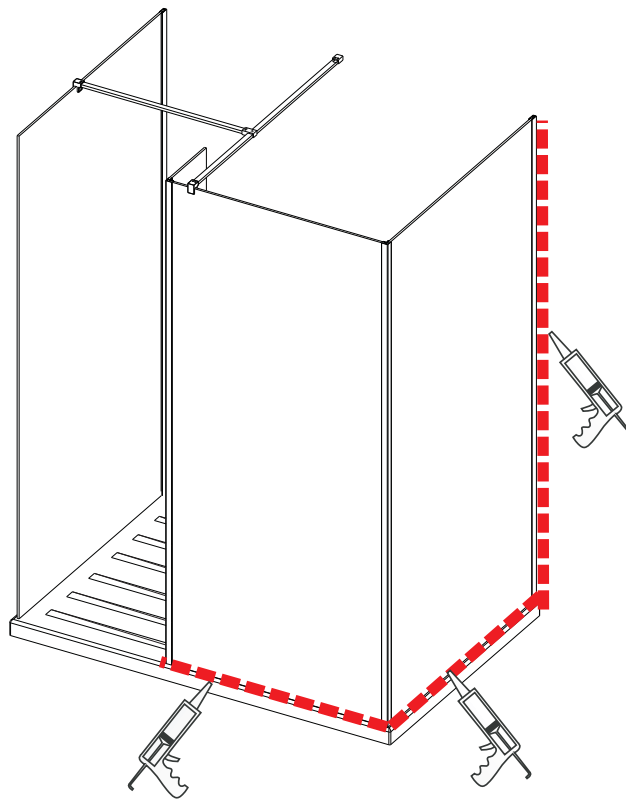
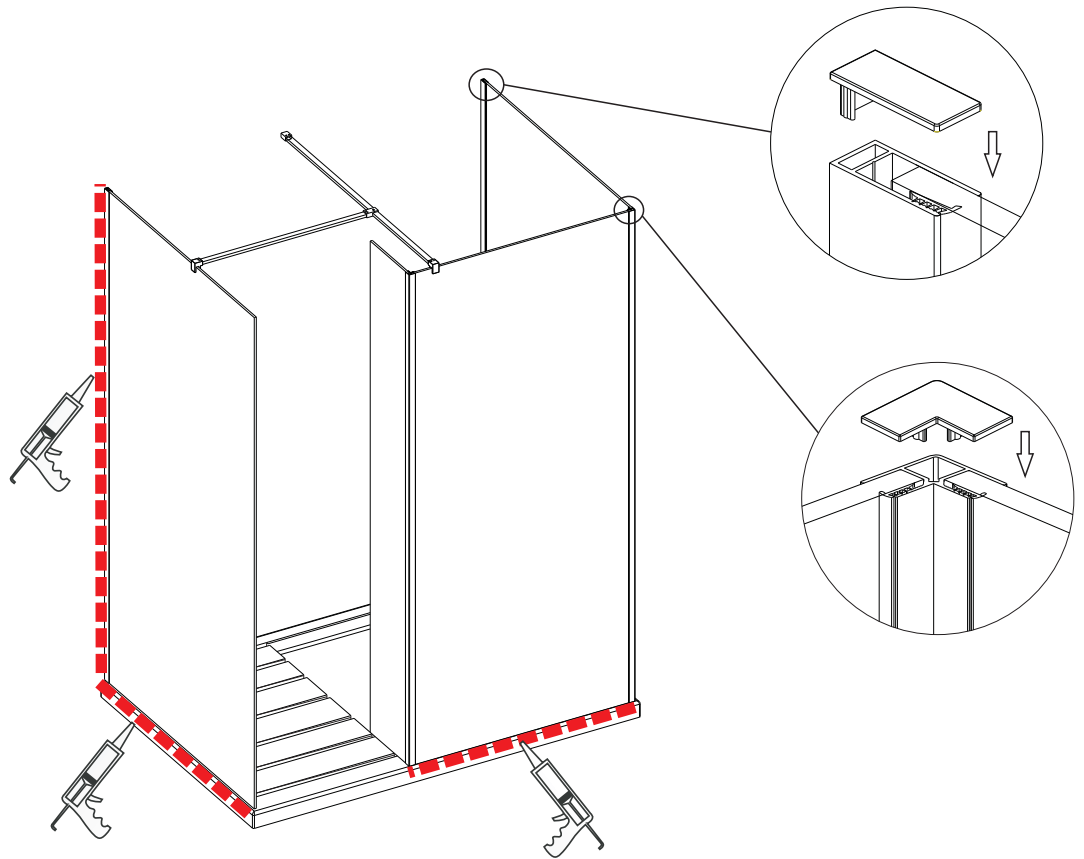
## Step 7 - CONNECTING SIDE PANEL TO FRONT PANEL



## Step 8 - CONNECTING FRONT PANEL TO SIDE PANEL USING CORNER POST



Step 9



Silicone (outside edge only) where the vertical profiles meet the wall, and the glass panels sit on the tray.



# CARE AND MAINTENANCE

## 1) AFTER CARE INSTRUCTIONS

Regularly clean your shower product with warm soapy water to prevent lime scale build up. Do not use abrasive cleaning fluids or materials, or strong chemical cleaners as this will damage the product surface.

## 2) MAINTENANCE

Clean the plastic parts with a cloth and mild detergent. Never use any abrasive creams, dissolvents, acetone or detergents and disinfectants that contain chlorine. The supplier accepts no liability for any type of use of care other than those contained in these instructions. The supplier reserves the right to introduce technical changes without notice.

---

## COMMITMENT TO QUALITY

It is our intention that the quality and functions of this product are of the highest standard. If you require help we advise you firstly contact a competent plumber. However we understand that this may not always be the case, so should you experience any problems please contact our customer services quoting the following:

Product name: 8mm Wet Room / Walk In

Product code: V8SUPP V8TCON V8SWP4003 V8SWC08 V8SWC09 V8SWC10  
V8SWC11 V8SWC12 V8SWG0419 V8SWG0719 V8SWG0819  
V8SWG0919 V8SWG01019 V8SWG01119 V8SWG01219

Customer help line number: 0344 804 48 48

# INSTALLERS NOTES

# INSTALLERS NOTES



Victoria Plum Limited, Bridgehead Business Park  
Hesle, HU13 0DG

15

EN 14428: 2004+A1: 2008

DOP No.: J150811003-1

**Shower enclosures with aluminium  
profiles and safety glass**

Essential characteristics	Performance	Harmonised technical specification
Cleanability	Pass	Clause 4.2 of EN 14428: 2004+ A1: 2008
Impact resistance/shatter properties	Pass	Clause 4.3 of EN 14428: 2004+ A1: 2008
Durability	Pass	Clause 4.4 of EN 14428: 2004+ A1: 2008

The packaging you have received with your product is 100% recyclable.  
It must be disposed of in a safe and environmentally friendly way.  
We suggest you take it to the local landfill site and discard in the designated bins.