

INSTALLATION

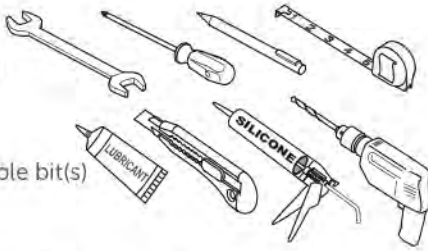
Installation - Installazione - Installation - Montage - Instalación - Monterung - Монтаж
 Montáž - Paigaldamine - Εγκατάσταση - Beszerelés - Montavimas - Montáža - Instalare
 Инсталација - Montaž - Установка - Montaža - Montáž - Montaj - Инсталација

GENERAL INFORMATION



Tools/Materials Required (not supplied)

- Spanners
- Screwdriver
- Pencil or Marker Pen
- Measuring Tape
- Lubricant
- Silicone
- Power Drill and suitable bit(s)
- Model knife



The Water Regulations have a requirement to fit a servicing valve adjacent to the cistern.

Access panel to the cistern should be provided for maintenance purposes.

It is the installer/specifiers responsibility to ensure compatibility with other manufacturers WC pans.

The tank contents are pre-fitted at works, however it is recommended that the inlet and outlet valve seals are checked for water tightness before installing the tank.

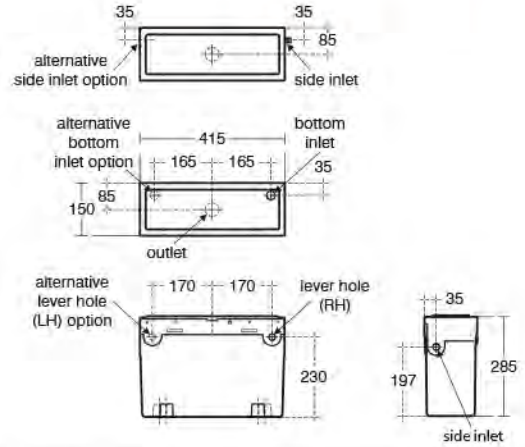
When connecting float operated fill valve to water supply pipework, adjust the float to give shut off at the water level as marked on cistern.



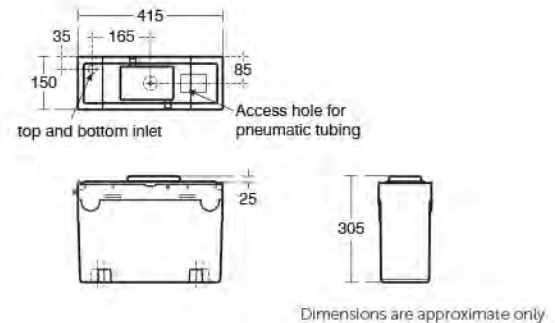
Chemicals & paints

Do not allow the Univalve to come into contact with jointing compounds, cellulose based paints, paint thinners or strippers, solder flux, acid based descalents or aggressive cleaning products including those below pH4, high in hypochlorite (e.g. bleach) or containing hydrogen peroxide.

• Lever and push button versions



• Flush plate operated version



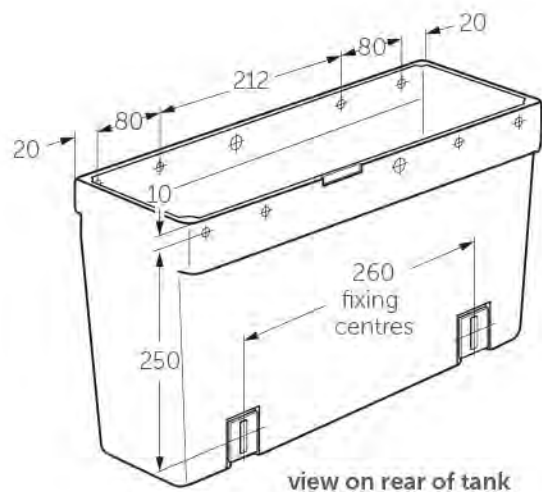
Dimensions are approximate only

TANK MOUNTING

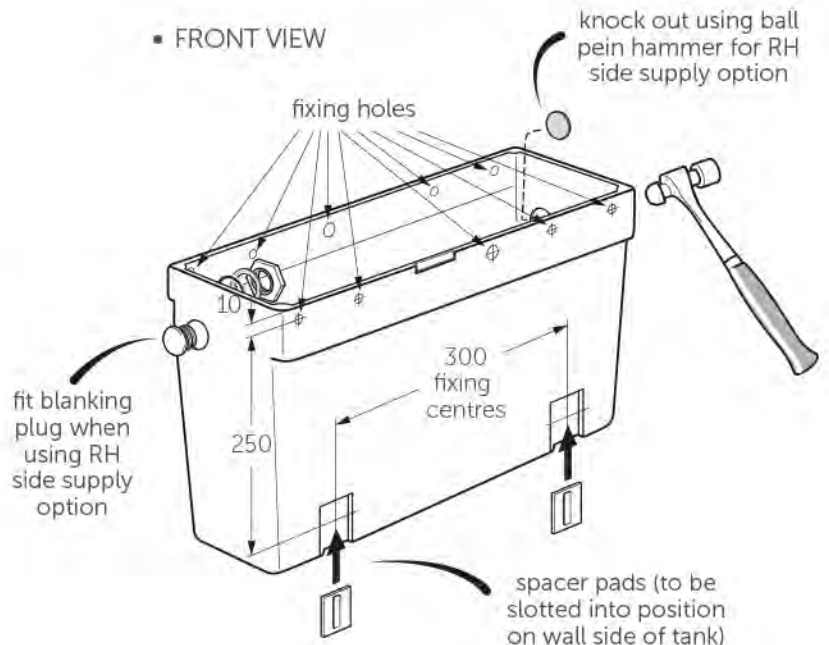
Four fixing holes are supplied in back and front faces of tank for front or rear wall mounting.

Note:- Tanks are not reversible.

• BACK VIEW

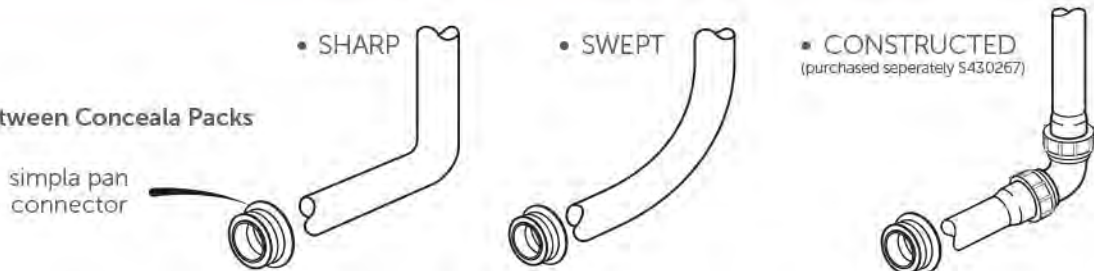


• FRONT VIEW

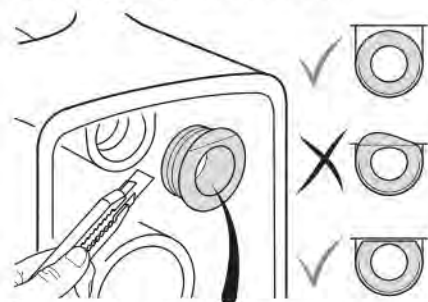


FLUSH BENDS

Flush bend(s) supplied vary between Conceala Packs



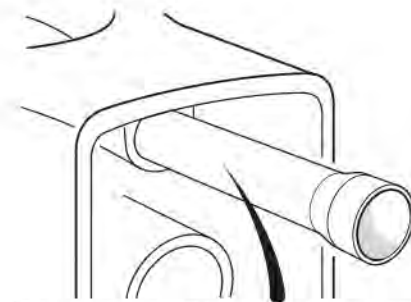
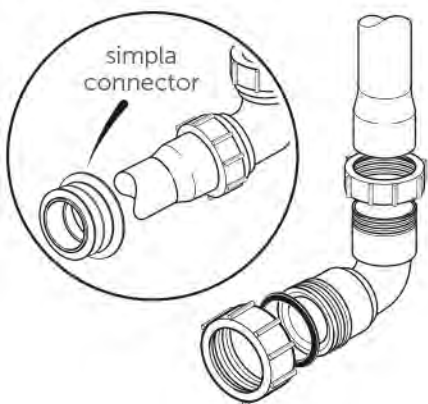
Assembly of Constructed Bend



Cut Simpla pan connector to suit if necessary. Apply silicone for better sealing if needed.

METHOD 1

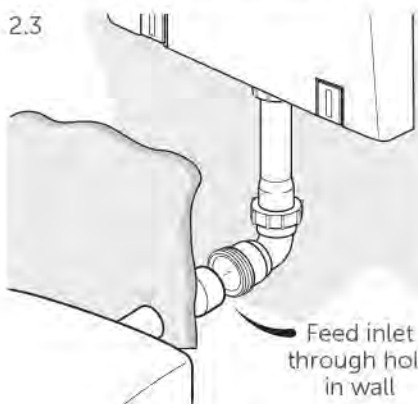
- 1.1 assemble both pipes with elbow
- 1.2 fit to cistern
- 1.3 fit inlet connector (Simpla)



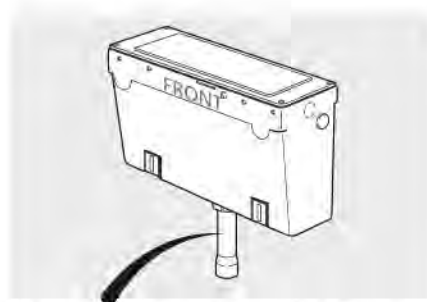
Cut horizontal length to suit (cut end with smaller diameter). Allow extra length for elbow and inlet connector (Simpla).

METHOD 2

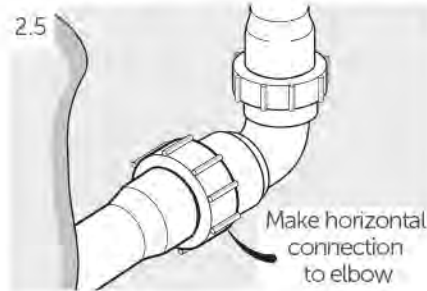
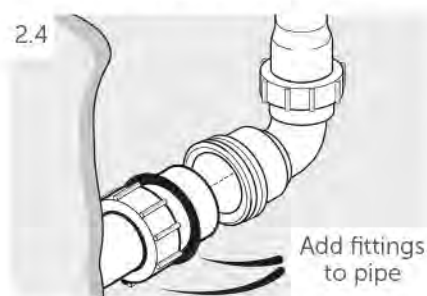
- For closets with recessed inlet boss
- 2.1 fit elbow to vertical pipe
- 2.2 fit vertical pipe to cistern



For METHOD 2 access is needed behind the wall to complete the assembly.

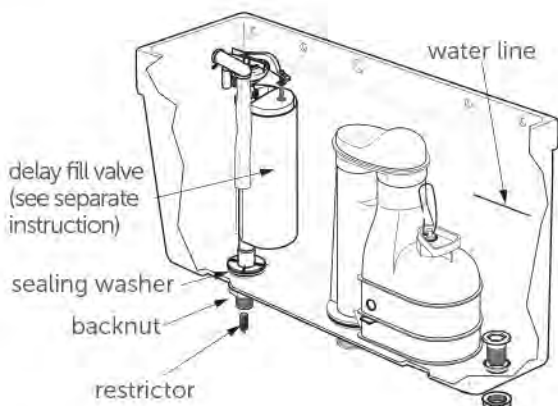


Cut vertical length to suit (cut end with smaller diameter). Allow extra length for elbow and cistern connection.



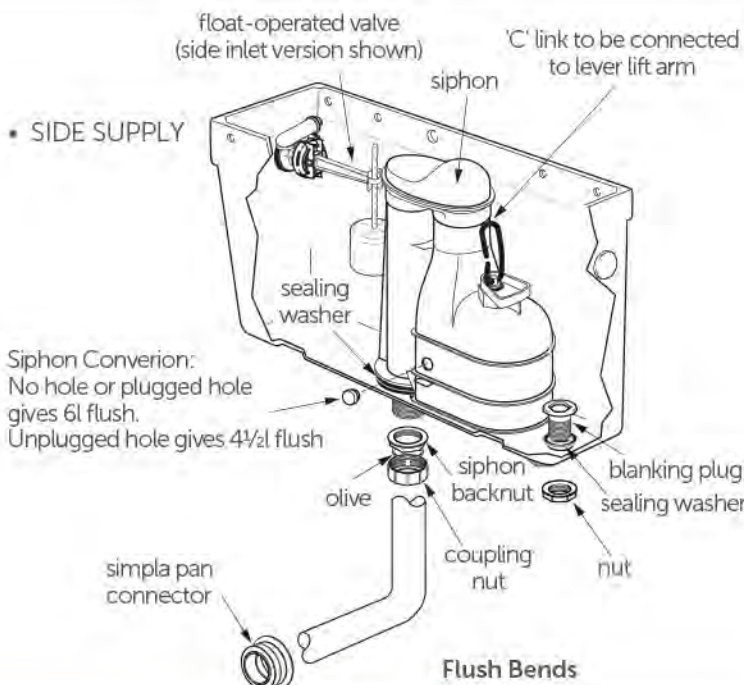
LEVER OPERATED (SINGLE FLUSH)

BOTTOM SUPPLY



Illustrations shown may not represent product supplied

SIDE SUPPLY

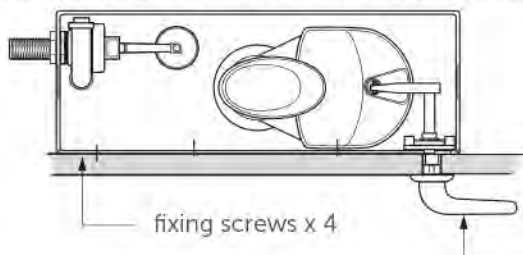


LEVER OPERATED (SINGLE FLUSH)

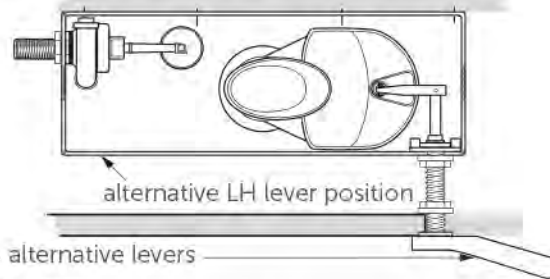
TYPICAL ARRANGEMENTS

• FRONT FIXING

For lever fixing, please refer to details supplied with the lever.



• REAR FIXING

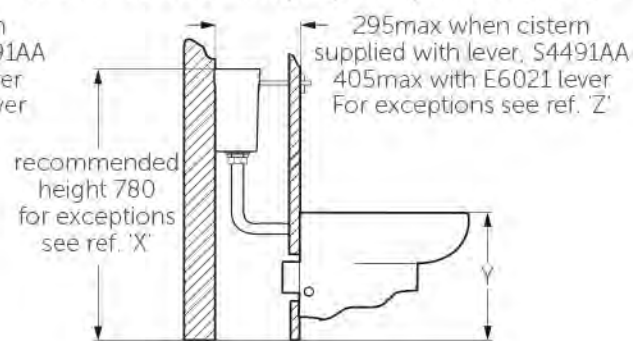
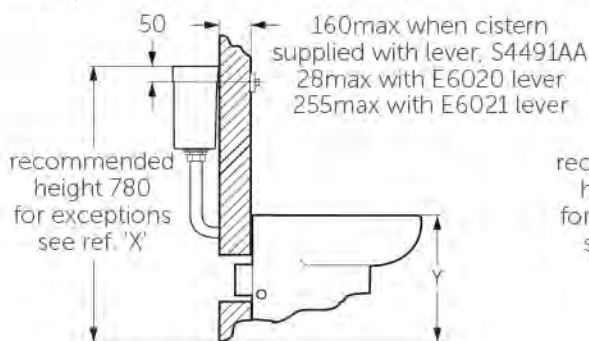


Cistern heights below 900 can only be achieved with E6020 & E6012 levers

NOTE: For closets 780 recommended height from floor to top of cistern is with pan front rim at 400mm. Ventura WM - not suitable for lever operated cisterns. All dimensions shown in millimetres. Dimensions shown may vary within permitted tolerances.

Sharp flush bend to be used with cisterns height 'X' set between 780 & 810 unless otherwise stated.

For Wall Mounted closets, dimension 'Y' can vary but the relationship between dimension 'X' and 'Y' MUST be maintained.



• 6 LITRE FLUSH

NOTE: Unless quoted below tanks to be fitted as detailed on previous page

BTW Closets

Exceptions	X	Y
Contour	1035**	-
Contour 21	850**	250
Contour 21 R. Ht	900**	250
Contour 21 700 R. Ht	900**	250
Contour 21 750 R. Ht	900**	250
Contour 21 305 Schools	900**	250
Contour 21 355 Schools	900**	250
Jasper Morrison	780	290
Moments	780	260
Perth 2*	-	-
Playa	880**	-
Sandringham 21	810**	260

* Constructed bend 'C' to be used

** Swept bend 'B' to be used

♦ **IMPORTANT** - White and Celano WM and Perth 2 BTW are not to be used with lever operated cisterns.

WM Closets

Exceptions	X	Y	Z
Braemar 21	880**	-	-
Celano*	-	-	-
Concept	780**	400	280
Contour 21	900**	450	250
Contour 21 700	900**	450	250
Contour 21 750	900**	450	250
Create	780	400	255
Lagaro	780	420	245
Moments	780	400	250
Playa	880**	400	-
Sandringham 21	810**	400	-
Santorini	780	400	280
Secrets	780	400	255
Secrets	780	400	255
White*	-	-	-

• 4.5 LITRE FLUSH

NOTE: Only closets listed are suitable for 4.5Litre single flush

BTW Closets

Exceptions	X	Y
Alto/Halo	970**	-
Concept	780**	-
Concept Space	780**	-
Contour 21	850**	250
Contour 21 R. Ht.	900**	250
Contour 21 700 R. Ht	900**	250
Contour 21 750 R. Ht	900**	250
Contour 21 305 Schools	900**	250
Contour 21 355 Schools	900**	250
Create	910**	-
Jasper Morrison	780	290
New Studio	780	-
Oracle	780	-
Playa	880**	-
Profile 21	780	-
Sandringham	910**	-
Sandringham 21	810**	260
White	780	-

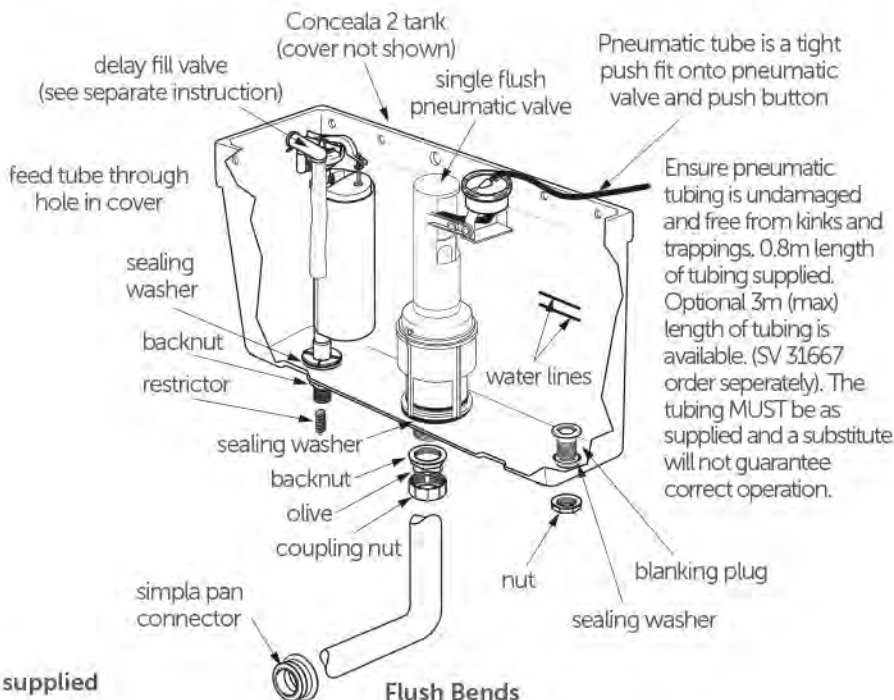
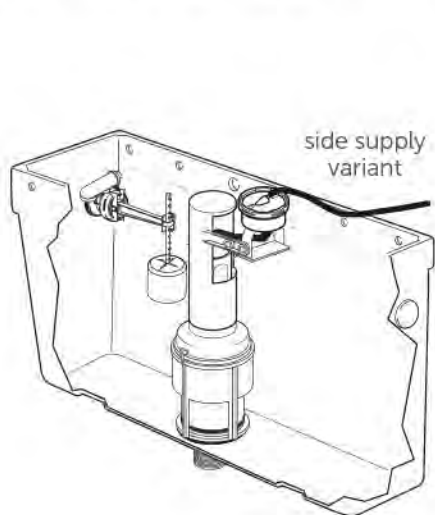
WM Closets

Exceptions	X	Y	Z
Alto/Melrose	910**	400	-
Concept	780	400	280
Contour 21	900**	450	250
Contour 21 700	900**	450	250
Contour 21 750	900**	450	250
Create	910**	400	255
Jasper Morrison	880**	400	-
Playa	880**	400	-
Sandringham 21	970**	400	-
Santorini	780	400	280

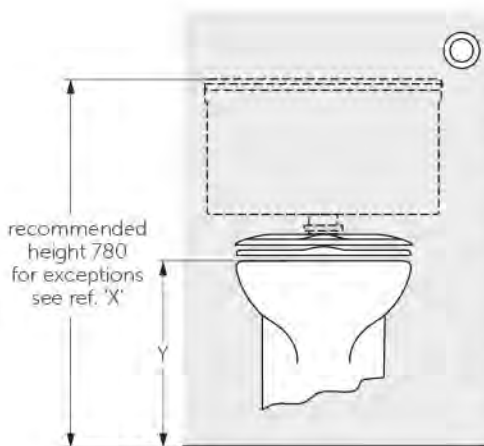
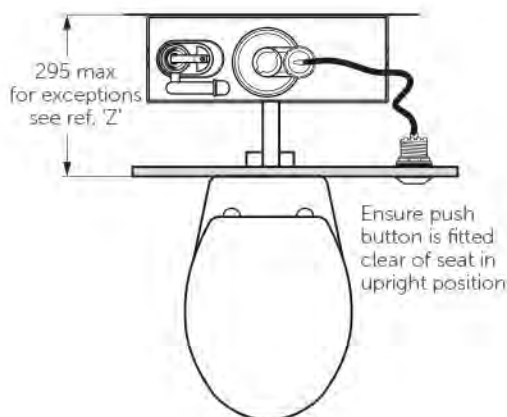
* Constructed bend 'C' to be used

** Swept bend 'B' to be used

PUSH BUTTON OPERATED (SINGLE FLUSH)



Illustrations shown may not represent product supplied



NOTE: For WM closets 780 recommended height from floor to top of cistern is with pan front rim at 400mm. See table for excetions.

Sharp flush bend to be used with cisterns height 'X' set between 780 & 810 unless otherwise stated.

For Wall Mounted closets, dimension 'Y' can vary but the relationship between dimension 'X' and 'Y' **MUST** be maintained.

All dimensions shown are in millimetres. Dimensions shown may vary within permitted tolerances.

• 6 LITRE FLUSH

NOTE: Unless quoted below tanks to be fitted as detailed on previous page

BTW Closets

Exceptions	X	Y
Contour	910**	-
Contour 21	800**	250
Contour 21 R. Ht	850**	250
Contour 21 700 R. Ht	900**	250
Contour 21 750 R. Ht	900**	250
Contour 21 305 Schools	780**	250
Contour 21 355 Schools	780**	250
Jasper Morrison	780	290
Lagaro	850**	-
Moments	780	260
Sandringham 21	810**	260
Sentry	820**	-
Ventura	935**	-

WM Closets

Exceptions	X	Y	Z
Braemar 21	900**	-	-
Concept	780**	400	280
Contour 21	900**	450	250
Contour 21 700	900**	450	250
Contour 21 750	900**	450	250
Create	780	400	255
Lagaro	780	420	245
Moments	780	400	250
Sandringham 21	810**	400	-
Santorini	780	400	280
Secrets	780	400	255
Tonic	780	400	255
Ventura	950	460	-

* Constructed bend 'C' to be used

** Swept bend 'B' to be used

FLUSH PLATE OPERATED (DUAL FLUSH)

• 4.5 LITRE FLUSH

NOTE: Only closets listed are suitable for 4.5Litre single flush

BTW Closets

Exceptions	X	Y
Alto/Halo	850**	-
Concept	780	-
Concept Space	780	-
Contour 21	800**	250
Contour 21 R. Ht.	850**	250
Contour 21 700 R. Ht	900**	250
Contour 21 750 R. Ht	900**	250
Contour 21 305 Schools	780**	250
Contour 21 355 Schools	780**	250
Create	910**	-
Jasper Morrison	780	290
Lagaro	850**	-
New Studio	780	-
Oracle	780	-
Playa	820**	-
Profile 21	780	-
Sandringham	820**	-
Sandringham 21	810**	260
Santorini	780	-
Secrets	910**	-
Softmood	780	-
Tempo	780	-
White	780	-

WM Closets

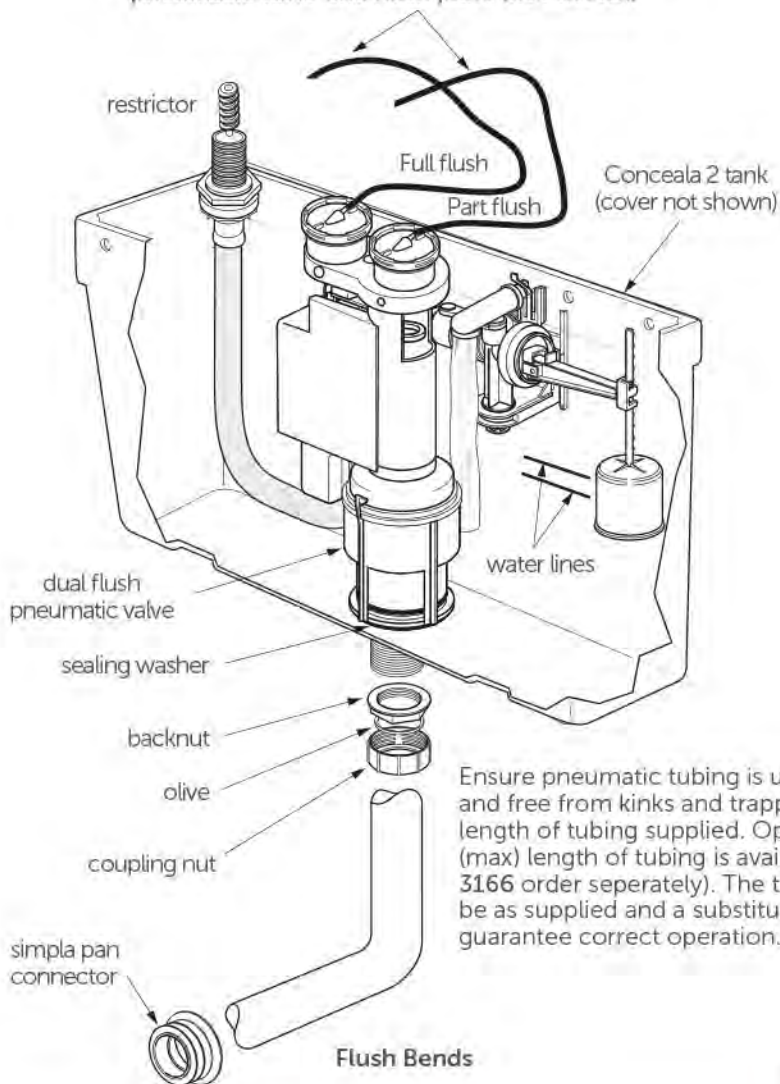
Exceptions	X	Y	Z
Alto/Melrose	880**	400	-
Concept	780	400	280
Contour 21	900**	450	250
Contour 21 700	900**	450	250
Contour 21 750	900**	450	250
Create	880**	400	255
Jasper Morrison	780	400	-
Playa	780	400	-
Sandringham 21	910**	400	-
Santorini	780	400	280
Secrets	880**	400	255
Softmood	780**	415	-
White	780	400	-

* Constructed bend 'C' to be used

** Swept bend 'B' to be used

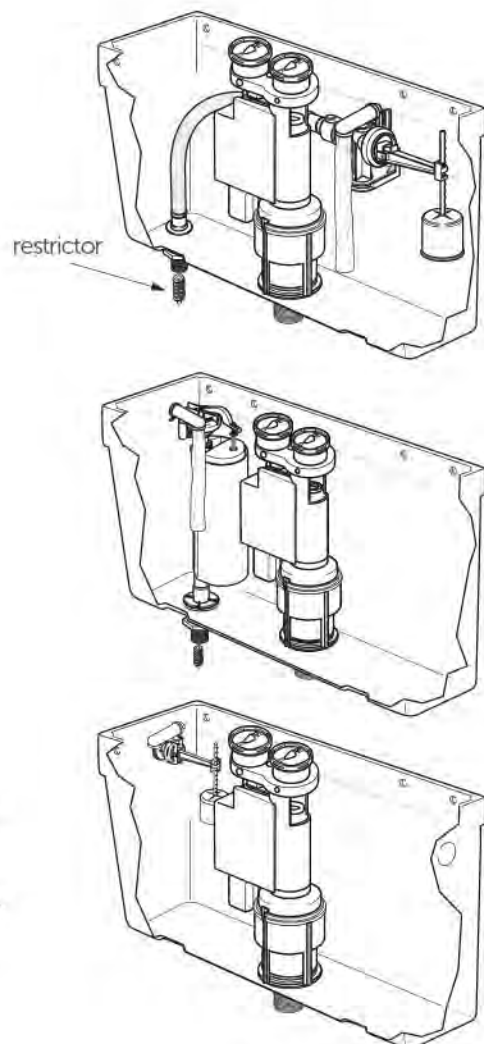
• TOP SUPPLY

Pneumatic tubes are a tight push fit onto pneumatic valve and flush plate (not shown)



Ensure pneumatic tubing is undamaged and free from kinks and trappings. 0.8m length of tubing supplied. Optional 3m (max) length of tubing is available. (SV 3166 order separately). The tubing **MUST** be as supplied and a substitute will not guarantee correct operation.

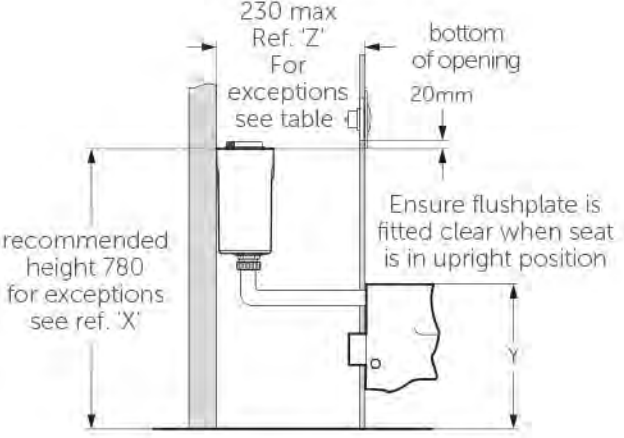
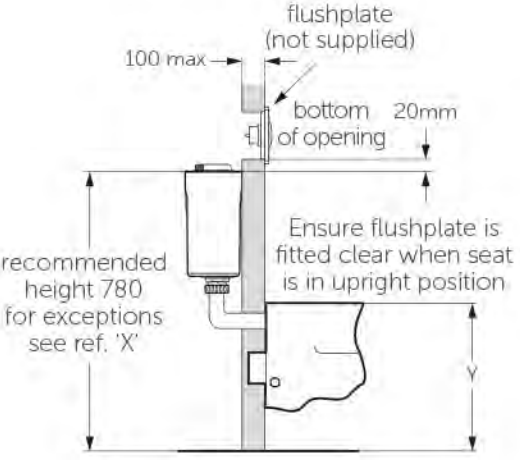
• DUAL FLUSH VARIANTS



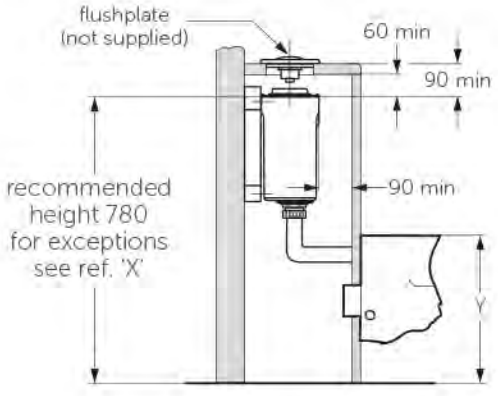
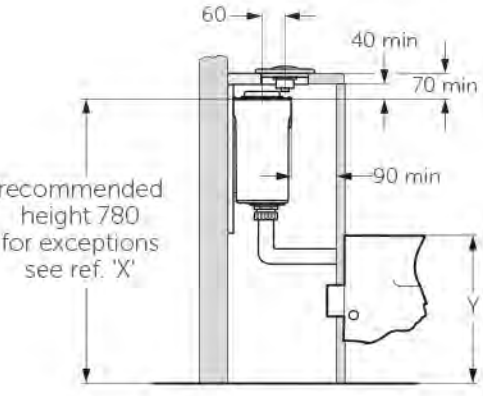
Illustrations shown may not represent product supplied

FLUSH PLATE OPERATED (DUAL FLUSH)

• CISTERN MOUNTING FOR WALL OPERATION



• CISTERN MOUNTING FOR TOP OPERATION



Note: For WM closets 780 recommended height from floor to top of cistern is with pan front rim at 400mm. All dimensions shown in millimetres. Dimensions are approx. and may vary within permitted tolerances.

Sharp flush bend to be used with cisterns height 'X' set between 780 & 810 unless otherwise stated. For Wall Mounted closets, dimension 'Y' can vary but the relationship between dimension 'X' and 'Y' **MUST** be maintained.

Note: Contour 21 305 and 355 schools pans are not suitable for this application

FLUSH PLATE OPERATED (DUAL FLUSH)

• 6 LITRE FLUSH

NOTE: Unless quoted below tanks to be fitted as detailed on previous page

BTW Closets

Exceptions	X	Y
Concept Air	790	280
Concept Aquablade	790	307
Contour	910**	-
Contour 21	800**	250
Contour 21 R.Ht.	850**	250
Contour 21 700 R.Ht.	900**	250
Contour 21 750 R.Ht.	900**	250
Jasper Morrison	780	290
Lagaro	850**	-
Moments	780	260
Sandringham 21	810**	260
Tesi 2	790	280
Tonic 2	780**	270
Ventura	935**	-

* Constructed bend 'C' to be used

** Swept bend 'B' to be used

WM Closets

Exceptions	X	Y	Z
Braemar 21	900**	-	-
Concept Air	790**	400	280
Concept Aquablade	760	-	306
Concept	780	400	280
Contour 21	900**	450	250
Contour 21 700	900*	450	250
Contour 21 750	900*	450	250
Create	780	400	256
Lagaro	800	-	-
Moments	780	400	225
Sandringham 21	810**	400	-
Santorini	780	400	280
Secrets	780	400	256
Tesi 2	790	400	280
Tonic	780	400	255
Tonic 2	765	-	280
Ventura	950**	460	-

• 4.5 LITRE FLUSH

NOTE: Only closets listed are suitable for 4.5Litre single flush

BTW Closets

Exceptions	X	Y
Celano	780	-
Concept	780	-
Concept Air	790	280
Concept Aquablade	790	315
Concept Space	780	-
Contour 21	800**	250
Contour 21 R.Ht.	850**	250
Contour 21 700 R.Ht.	900**	250
Contour 21 750 R.Ht.	900**	250
Contour 21 305 Schools	780**	250
Contour 21 355 Schools	780**	250
New Studio	780	-
Oracle	780	-
Playa	810**	-
Profile 21	780	-
Sandringham	820**	-
Sandringham 21	810**	260
Santorini	780	-
Softmood	780	-
Tempo	780	-
Tesi 2	790	280
Tonic 2	780**	270

* Constructed bend 'C' to be used

** Swept bend 'B' to be used

*** only suitable for 4,5/3,0 L flushing

WM Closets

Exceptions	X	Y	Z
Celano	780	410	-
Concept	780	400	280
Concept Air	790	410	280
Concept Aquablade	765	-	320
Contour 21	900**	450	250
Contour 21 700	900**	450	250
Contour 21 750	900**	450	250
Jasper Morrison ***	900**	400	-
Playa	780	400	-
Sandringham 21	970**	400	-
Tesi 2	790	400	280
Tonic 2	775	-	280
Softmood	780	415	-

CUSTOMER CARE HELPLINE

0870 1296085

FAX LINE 01482 499611

email: customer@idealstandard.com

5004

ver. 2.0/04.18