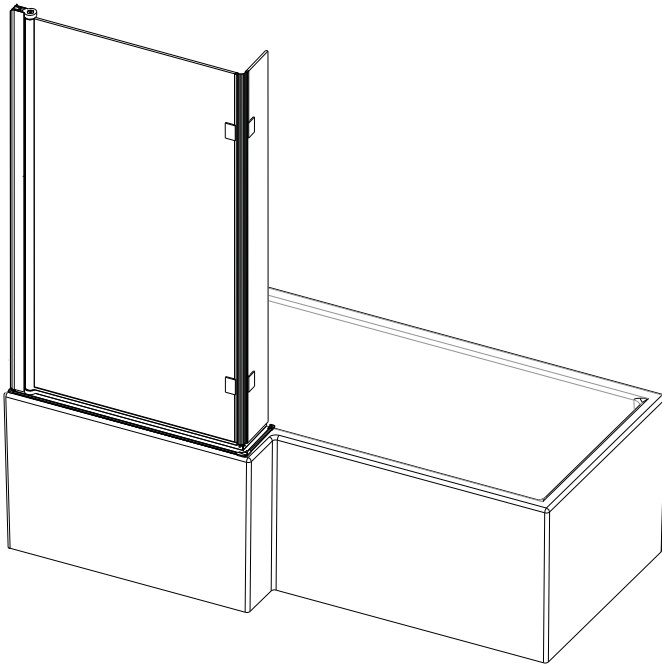


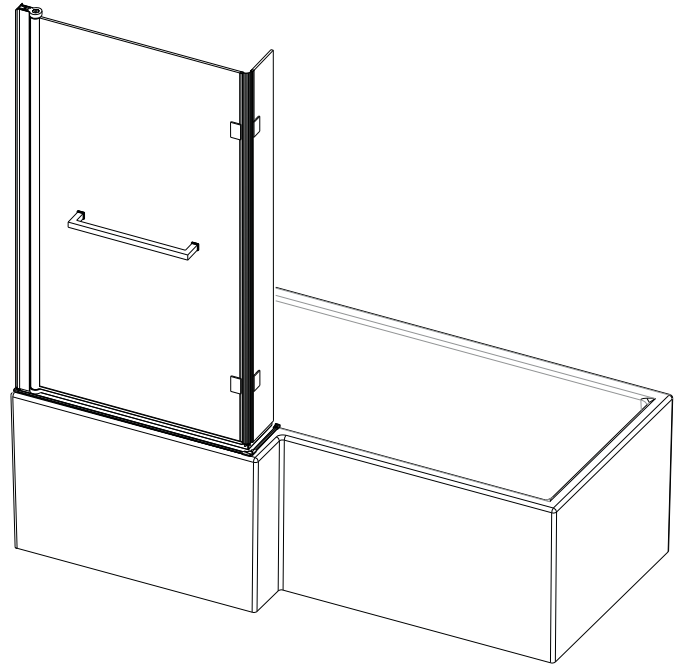
MODE

BATHROOMS

8mm Hinged L Shaped BATH SCREEN



BSQ4003



BSQ4004

For Left Or Right Hand Installation
(Left Hand Illustrated)

Exclusively available @

VictoriaPlum.com

VictoriaPlum.com
0344 804 48 48

BEFORE YOU START, HERE IS SOME IMPORTANT INFORMATION

1) General Information

Please inspect this product upon delivery, any missing parts or manufacturing defects must be reported immediately to the supplier. Damage or defects reported later will not be accepted. **TAKE CARE WHEN HANDLING GLASS PARTS - AVOID HEAVY CONTACT BETWEEN THE GLASS EDGES AND ANY HARD SURFACE.**

Glass breakage claims will not be accepted after the product has been unpacked.

Please note: Aluminium is a soft metal, and undergoes a series of extrusion, fabrication, polishing and anodising processes in order to create your finished shower screen. Some light surface marks are normal, and is a result of the manufacturing processes. Quality control has ensured that this item is of a good standard, and is fit for purpose.

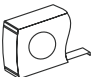


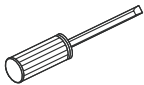

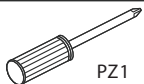
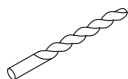
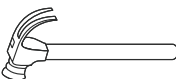
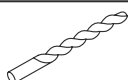

2) Additional Notes


Please read these instructions carefully before starting installation.

Special care should be taken when drilling walls to avoid hidden pipes or electrical cables.

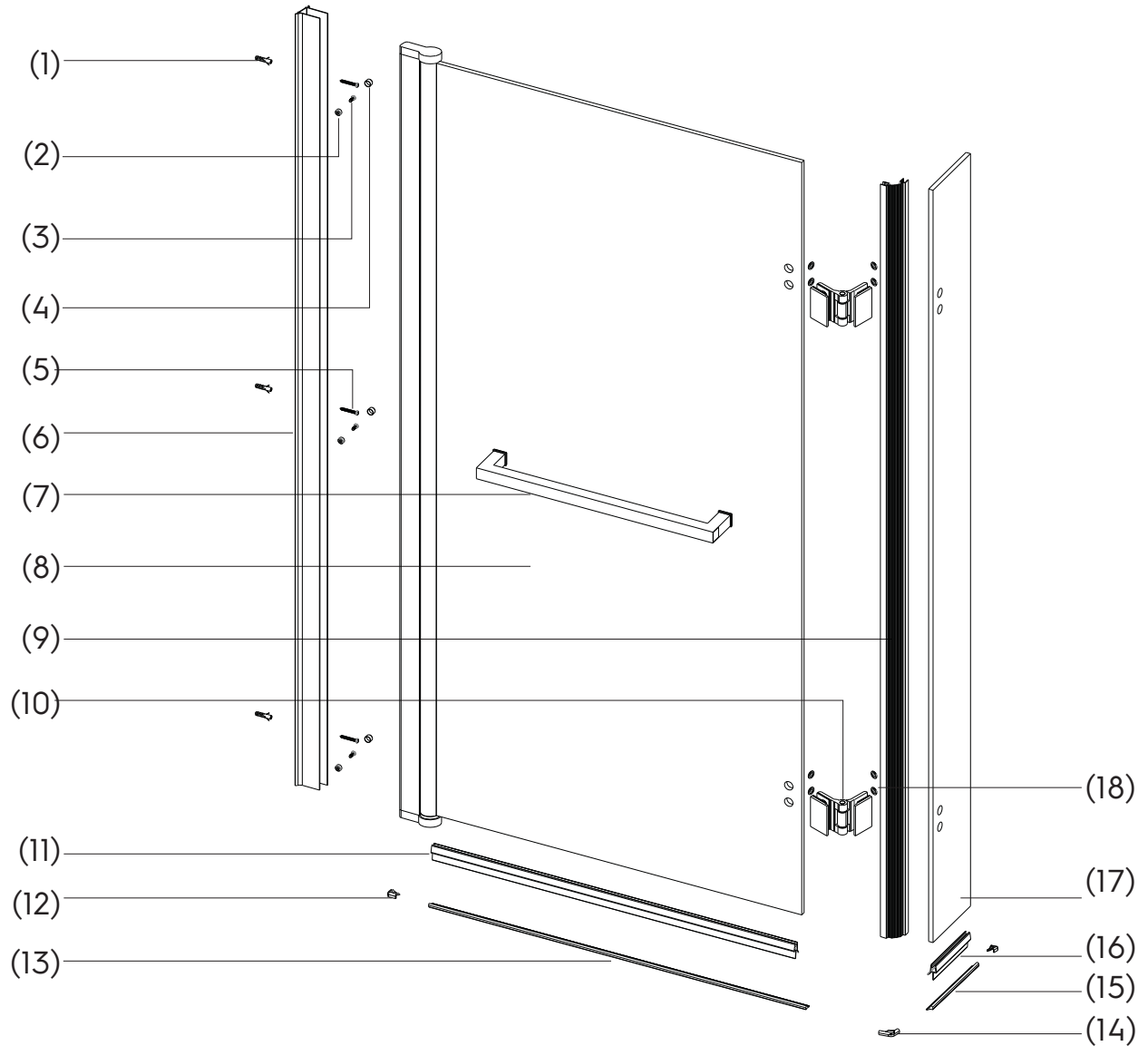
Note: this product is heavy and may require two people to install.

TOOLS REQUIRED

DESCRIPTION	PART IMAGE	DESCRIPTION	PART IMAGE
Tape measure		Drill	
Spirit level		Flat-head Screwdriver	
Pencil		Cross head Screwdriver	
Ø6mm Drill bit		Hammer	
Ø3mm Drill bit		Silicone Sealant	

 This product is heavy and may require two people to install.

ASSEMBLY INSTRUCTIONS - EXPLODED VIEW & PARTS LIST



(1) 3x Wall Plugs

(2) 3x Screw Clips

(3) 3x Screws 4x12

(4) 3x Screw Cover Caps

(5) 3x Screws 4x30

(6) 1x Wall Profile

(7) 1x Towel Rail (Optional)

(8) 1x Moving Panel A

(9) 1x Vertical Seal

(10) 2x Hinges

(11) 1x Bottom Seal A

(12) 2x Drip Strip End Caps L/R

(13) 1x Drip Strip

(14) 1x Corner Part

(15) 1x Drip Strip

(16) 1x Bottom Seal B

(17) 1x Moving Panel B

(18) 8x Hinge Cover Caps

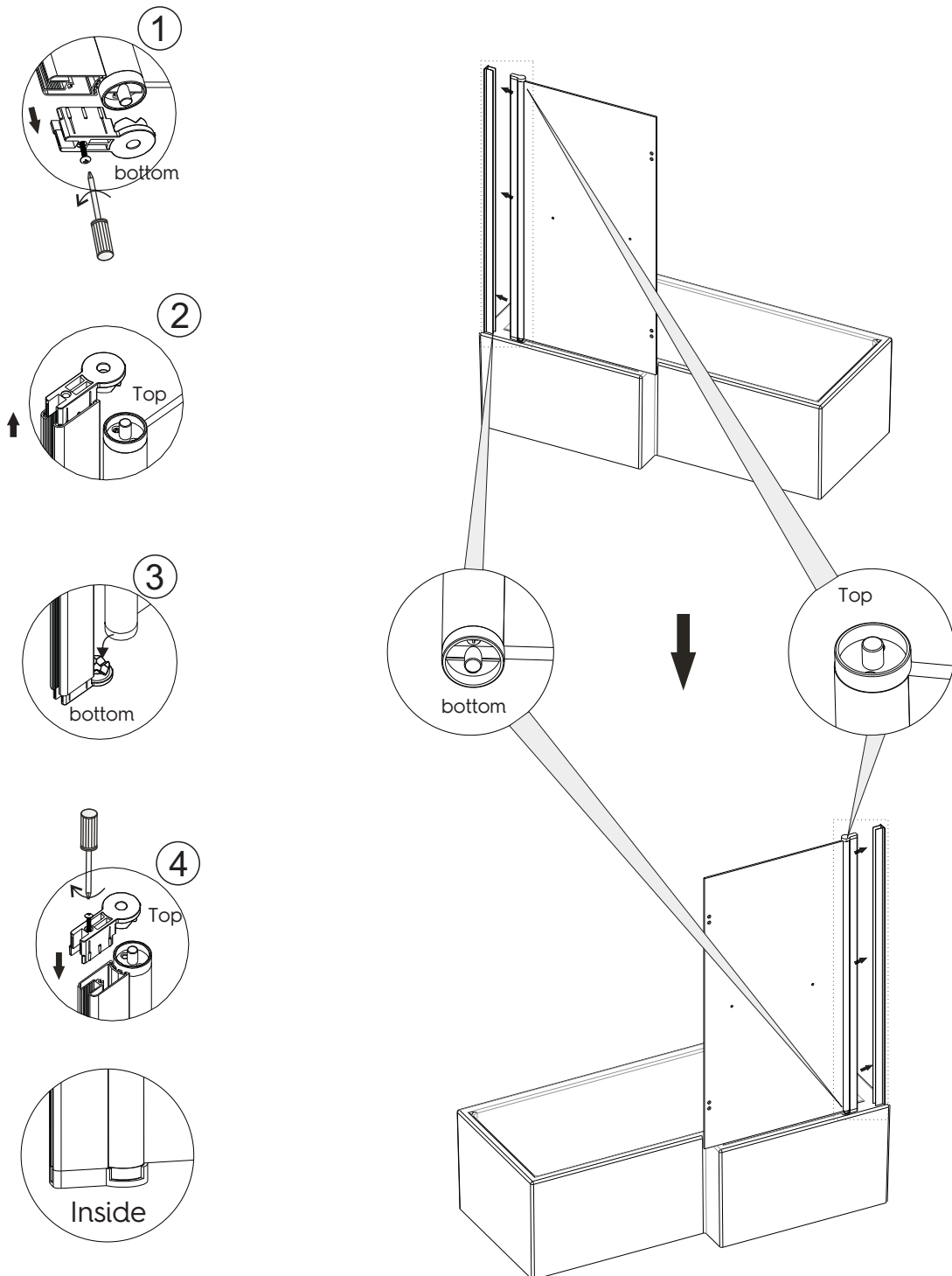
ASSEMBLY INSTRUCTIONS

If you require help, we advise you to contact a competent plumber

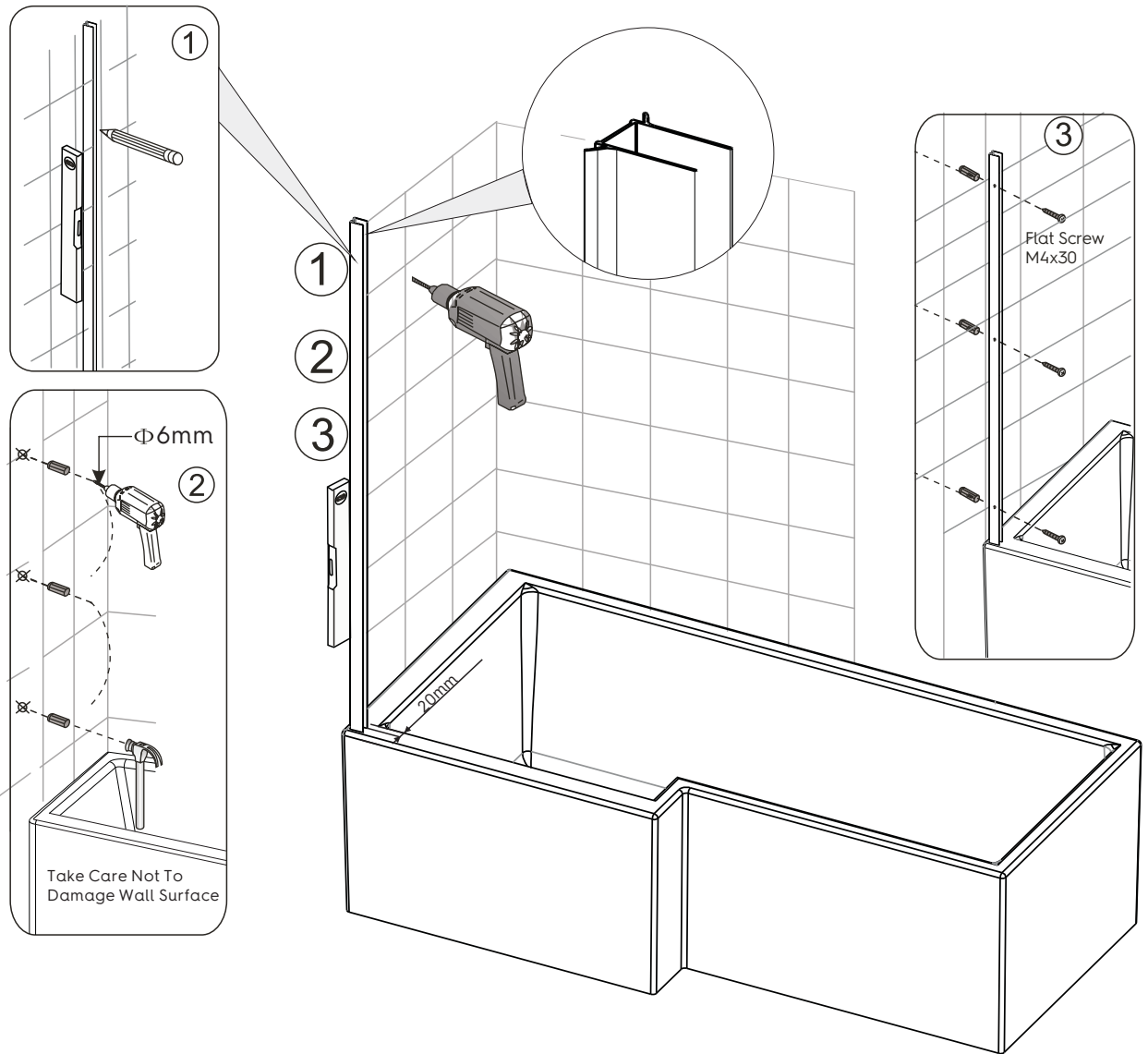
Installation Steps

Step 1

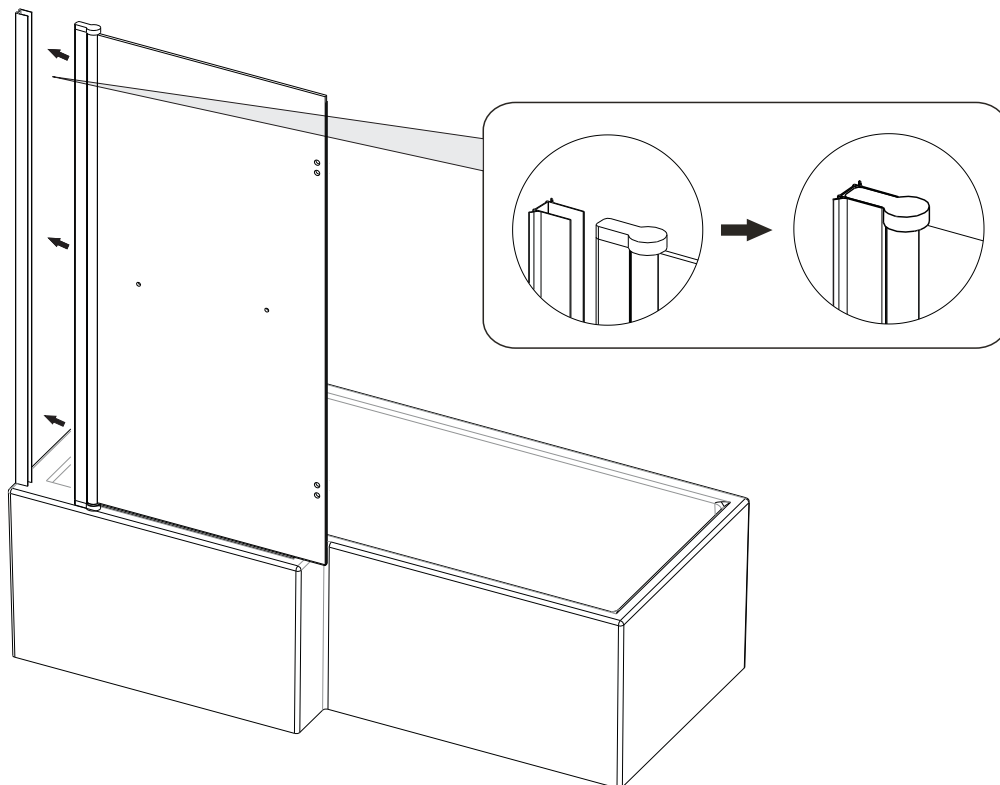
IF YOUR SCREEN IS TO BE FITTED IN THE LEFT HAND POSITION – AS PER THE FRONT COVER, THEN PLEASE PROCEED IMMEDIATELY TO STEP 2, DO NOT FOLLOW STEP 1. IF YOUR SCREEN IS TO BE FITTED IN THE RIGHT HAND POSITION THEN PLEASE FOLLOW THESE STEPS BELOW IN STEP 1



Step 2

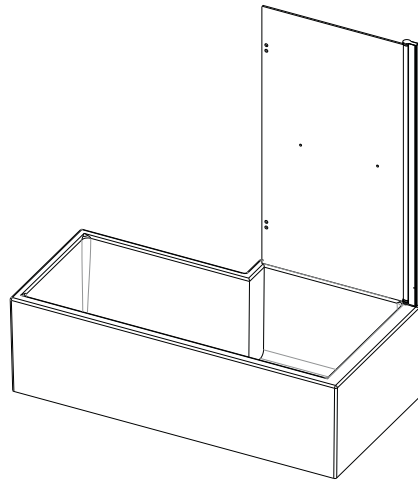
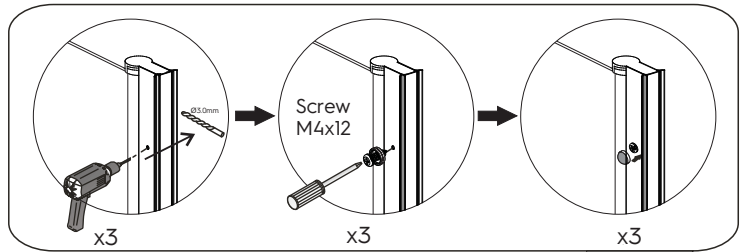
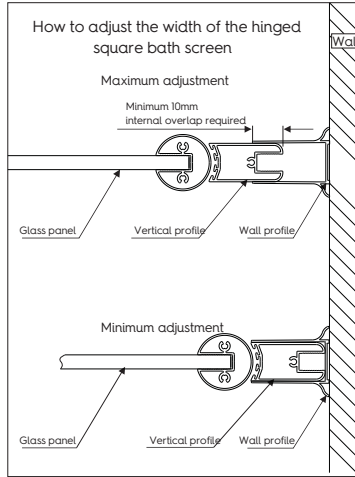


Step 3

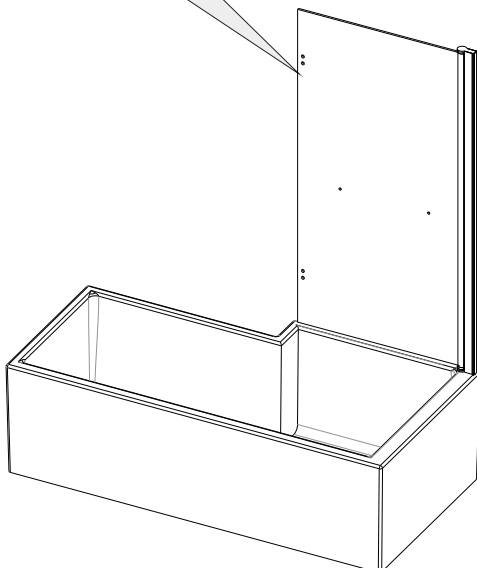
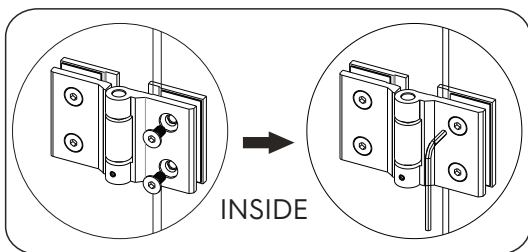


Step 4

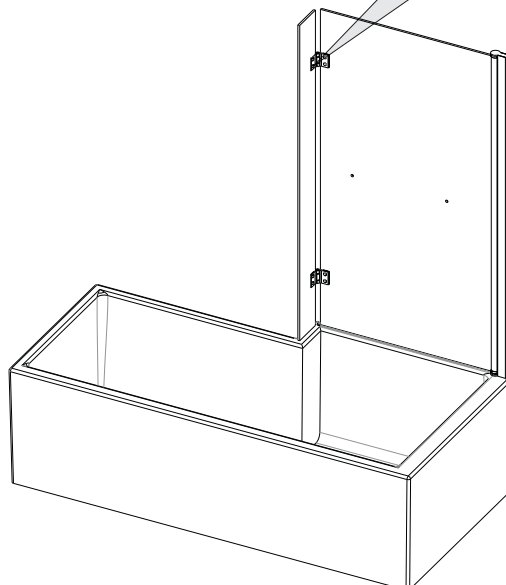
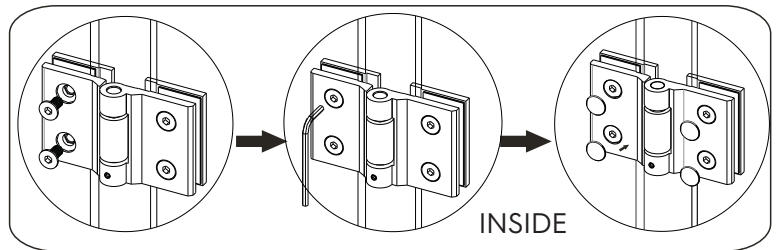
⚠ Take care not to drill to the glass



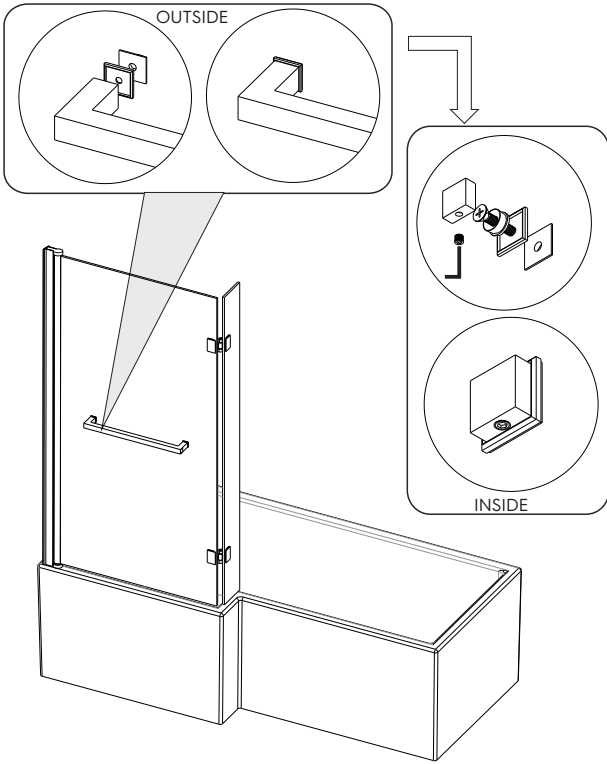
Step 5



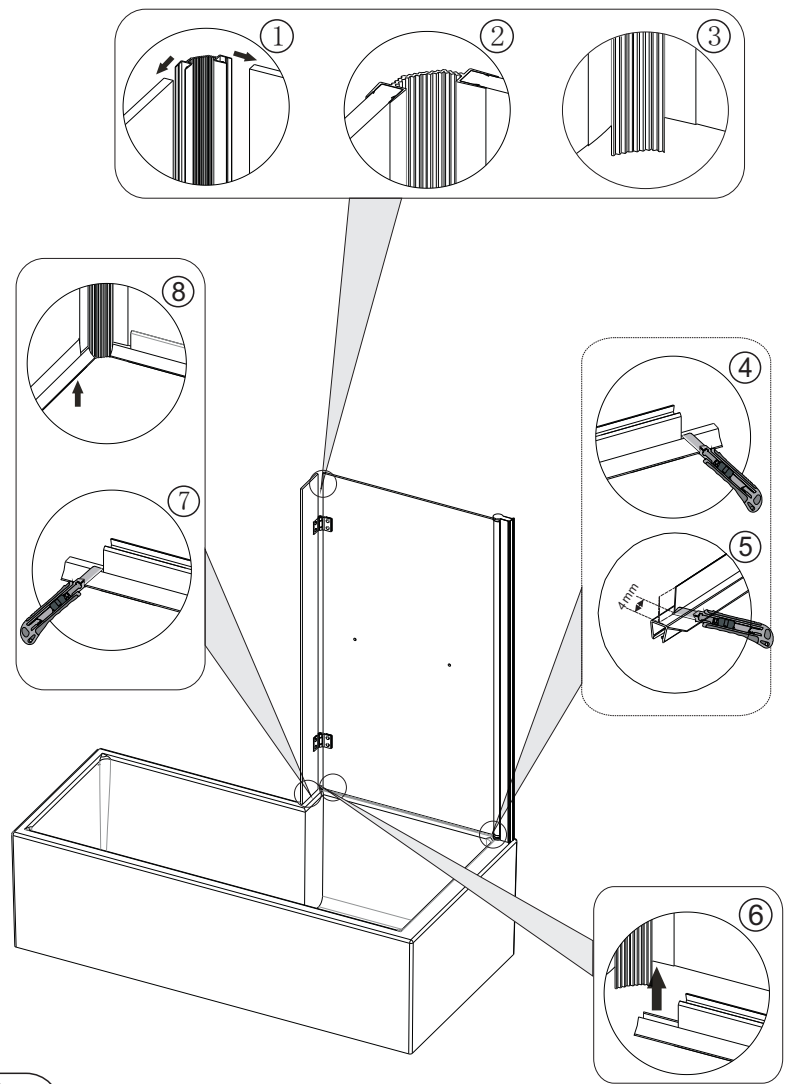
Step 6



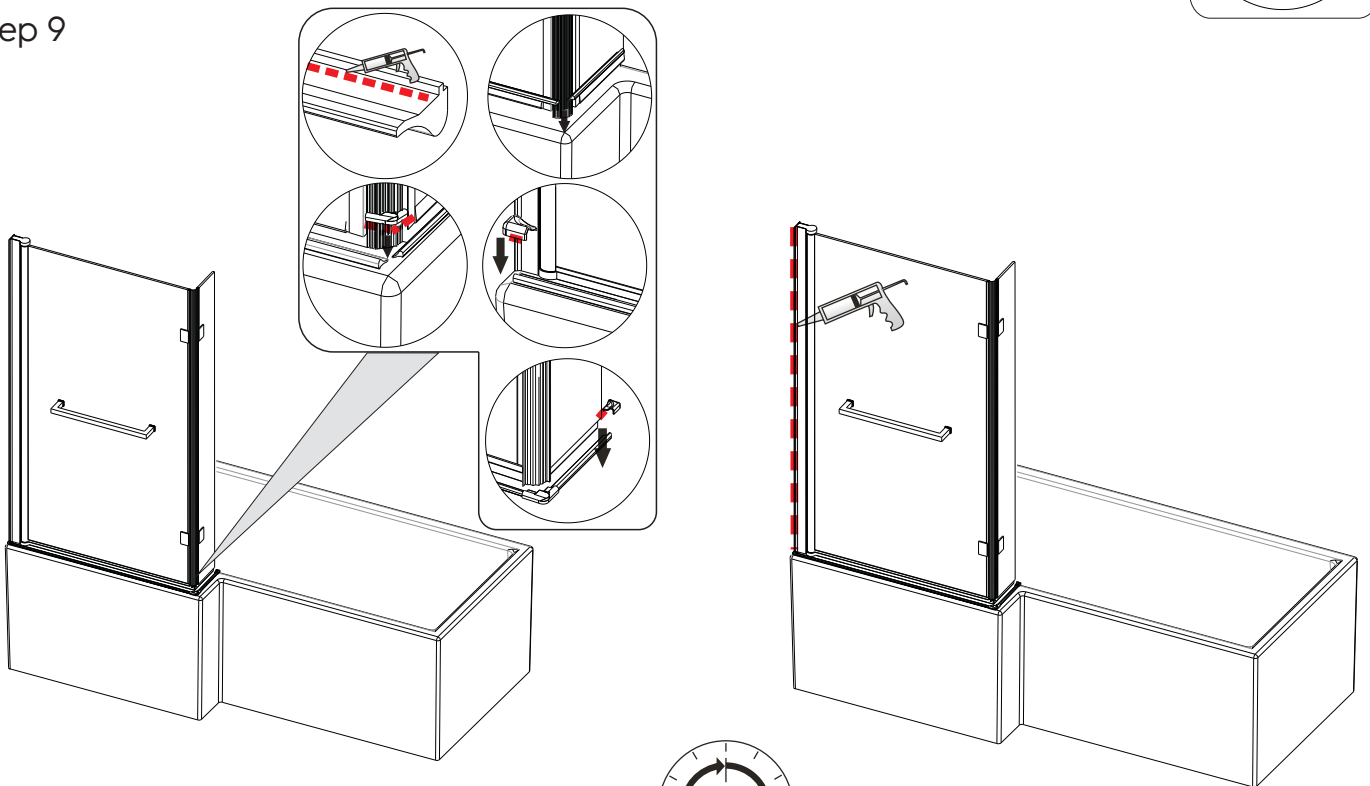
Step 7



Step 8



Step 9



Silicone (outside edge only) where the vertical profile meets the wall.

CARE AND MAINTENANCE

1) AFTER CARE INSTRUCTIONS

Regularly clean your shower product with warm soapy water to prevent lime scale build up. Do not use abrasive cleaning fluids or materials, or strong chemical cleaners as this will damage the product surface.

2) MAINTENANCE

Clean the plastic parts with a cloth and mild detergent. Never use any abrasive creams, dissolvents, acetone or detergents and disinfectants that contain chlorine. The supplier accepts no liability for any type of use of care other than those contained in these instructions. The supplier reserves the right to introduce technical changes without notice.

COMMITMENT TO QUALITY

It is our intention that the quality and functions of this product are of the highest standard. If you require help we advise you firstly contact a competent plumber. However we understand that this may not always be the case, so should you experience any problems please contact our customer services quoting the following:

Product name: 8mm Hinged L Shaped Bath Screen

Product code: BSQ4003 / BSQ4004

Customer help line number: 0344 804 48 48

INSTALLERS NOTES

INSTALLERS NOTES

INSTALLERS NOTES



Victoria Plum Limited, Bridgehead Business Park
Hesle, HU13 0DG

16

EN 14428 : 2015
DOP No.:J161021001-1

Shower enclosures with aluminium
profiles and safety glass

Essential characteristics	Performance	Harmonised technical specification
Cleanability	Pass	Clause 4.2 of EN 14428:2004+A1:2008
Impact resistance/shatter properties	Pass	Clause 4.3 of EN 14428:2004+A1:2008
Durability	Pass	Clause 4.4 of EN 14428:2004+A1:2008

The packaging you have received with your product is 100% recyclable.
It must be disposed of in a safe and environmentally friendly way.
We suggest you take it to the local landfill site and discard in the designated bins.