

# TECHNICAL DATA SHEET



## COLONIAL

### Basin Mixer with Pop-Up Waste

#### Product Specification

Product Codes & Finishes: K BAS C (Chrome)  
K BAS G (Vintage Gold)

Product Type: Traditional

Construction: Body is of Brass Construction and is designed to conform to BS EN 200

Valve Type: 1/2" standard valves

Supply: Suitable for all plumbing systems

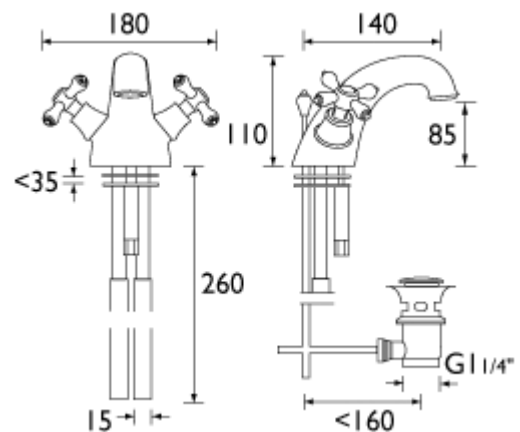
Inlet Connections: M12 x 15mm Screw-in Copper Pipes

Water Pressure: Min 0.2 bar, Max. 8.0 bar



#### Additional Information

- Supplied with metal heads
- Includes Pop-Up Waste
- Chrome plated to BS EN 248



#### Flow Rates (litres per minute)

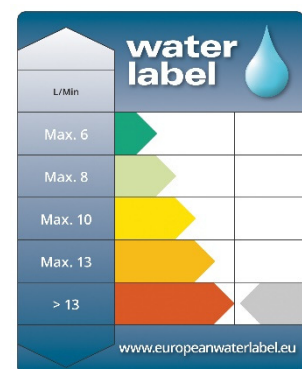
System Pressure	0.2bar	0.5bar	1.0bar	2.0bar	3.0bar	5.0bar
Open Outlet	20.1	35.2	50.1	72.3	88.5	114.3

#### Compliance/Approvals

WRAS Approval Nos: 1312910

Technical Advice: For further information please call 0844 7016273  
or email [customercare@bristan.com](mailto:customercare@bristan.com)

Guarantee: 5 years covering manufacturing faults.



Bristan, Birch Coppice Business Park, Dordon, Tamworth, B78 1SG  
Telephone: 0844 701 6274 Facsimile: 0844 701 6275  
Web Site: [www.bristan.com](http://www.bristan.com) Email: [enquire@bristan.com](mailto:enquire@bristan.com)



The information contained on this page was correct at date of issue. Fitting dimensions are provided as a guide only. Some variation may occur due to manufacturing tolerances. Bristan pursues a policy of continuing improvement in design and performance of its products and so reserves the right to change specifications without prior notice.