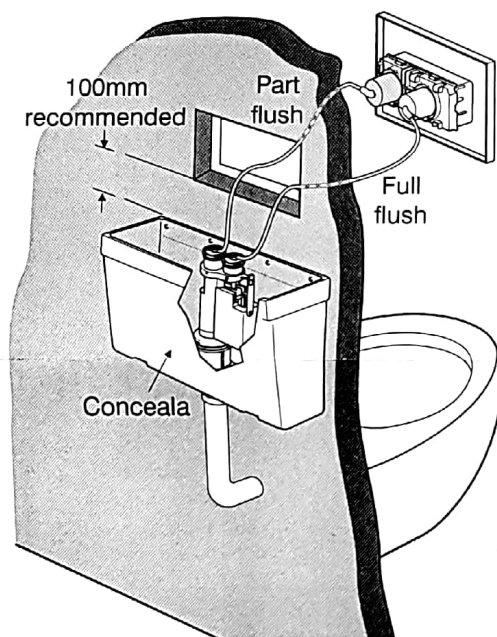
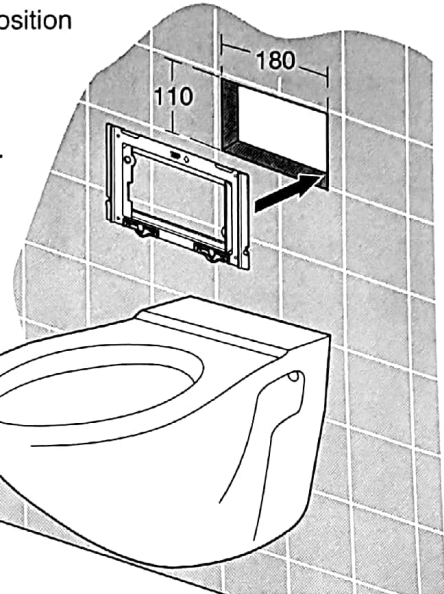


# Karisma Flush Plate

When used with a Conceala Pneumatic Dual Flush Cistern

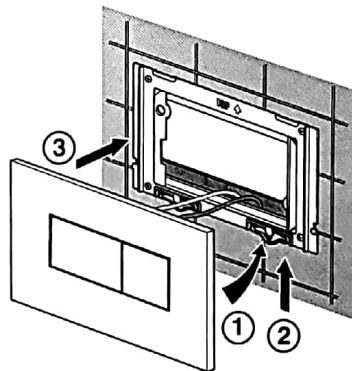
1. Cut 180 wide x 110 deep opening in wall at the selected position for the flush plate.
2. Place mounting plate into opening from front and fix using 4 No. screws suitable for the wall substrate, (not supplied).
3. Connect pneumatic tubing to Conceala outlet valve and to flush plate.



Pneumatic tubes are a tight push fit onto pneumatic valve and flush plate

Ensure pneumatic tubing is undamaged and free from kinks and trappings. 0.8m length of tubing supplied. Optional 3m length of tubing is available. (SV 31667 order separately). The tubing **MUST** be as supplied and a substitute will not guarantee correct operation.

4. Fit flush plate.



The Bathroom Works  
National Avenue  
Kingston upon Hull  
HU5 4HS England  
Telephone: (01482) 346461  
Telefax: (01482) 445886.

**CUSTOMER CARE HELPLINE**  
**0870 1258905**

**CUSTOMER CARE FAX LINE 01482 499611**  
**email: ukcustcare@IdealStandard.com**

We pursue a policy of continuing improvement in design and performance of our products. The right is, therefore, reserved to vary specifications without notice.

Ideal Standard (UK) Ltd.

5055 11/13

Cod. OL0004142/00 - 03/2014  
AC10000145101.1