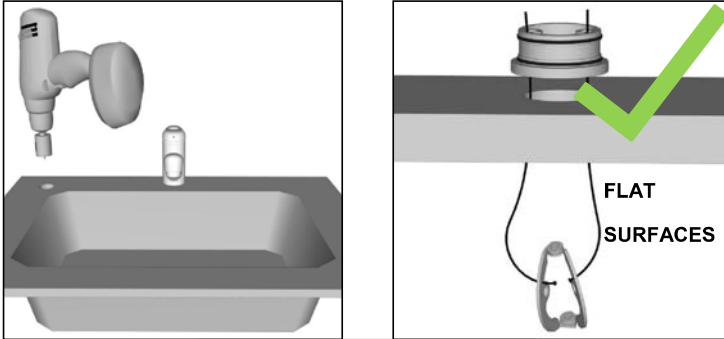


DRILL 1 3/8" (35MM) HOLE FOR FAUCET

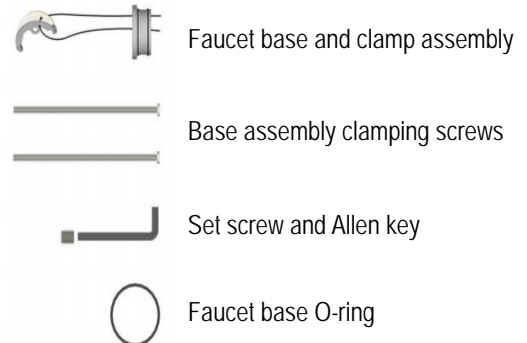
- You will need to use or drill a 1 3/8" (35mm) diameter hole in the counter-top or sink where you would like to place the faucet.



- Surfaces must be flat and level

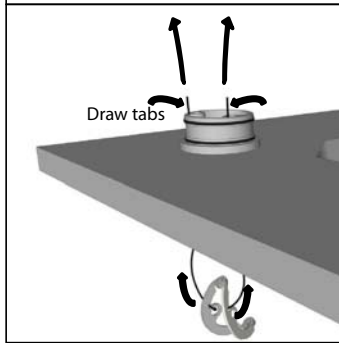
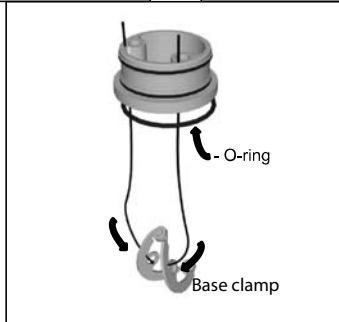


FAUCET FITTING KIT FOR DISPENSER

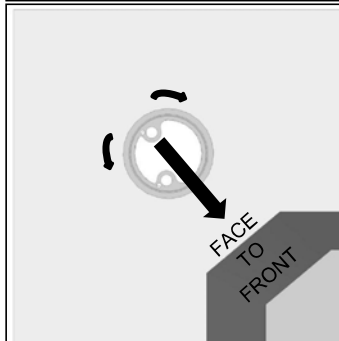


INSTALLING FAUCET BASE ASSEMBLY

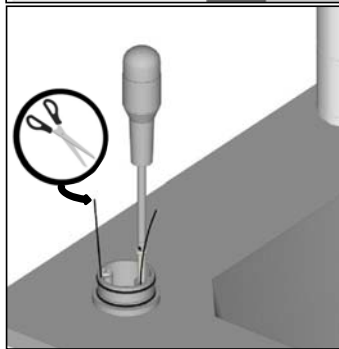
- Fold base clamping plate to allow it to pass through the 1 3/8" (35mm) diameter hole and locate the O-ring seal under the base assembly.



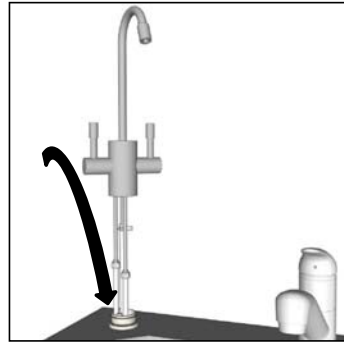
- Insert base clamp assembly through the 1 3/8" (35mm) diameter hole, and pull up on "tabs" to draw the clamping plate into position under the bench.



- Rotate the base assembly to the correct orientation as illustrated so that the dispenser's faucet handle will face the correct way once installed.



- Insert and tighten the two fastening screws to lock the base assembly in place.
- Cut excess length from draw tabs.



Faucet Image Representational

INSTALLING FAUCET TO DISPENSER

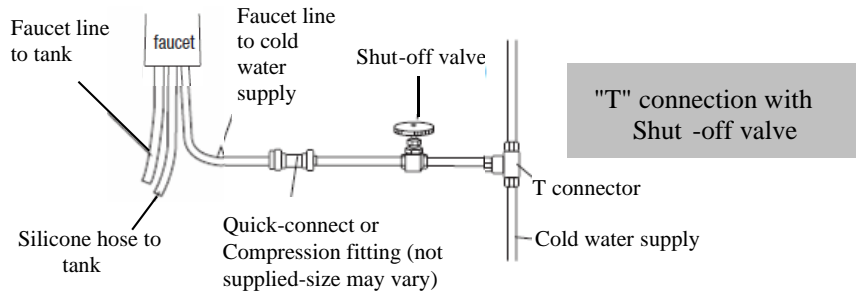
- Insert tubing through the base assembly as illustrated, and lower the faucet base into position.



- Take care not to damage or kink the tubing as it passes through the base assembly.
- Do not pull on the tubing in an effort to locate the dispenser faucet onto the base assembly.
- Insert and tighten set screw on faucet base using supplied Allen wrench.

MOUNTING TANK

- Position tank vertically beneath faucet so that the flexible tube from the faucet reaches the center faucet supply tube on the tank. Keep the tank .39" (10mm) away from the wall.
- NOTE: The tank must be positioned so the hose to the faucet does not twist or kink.

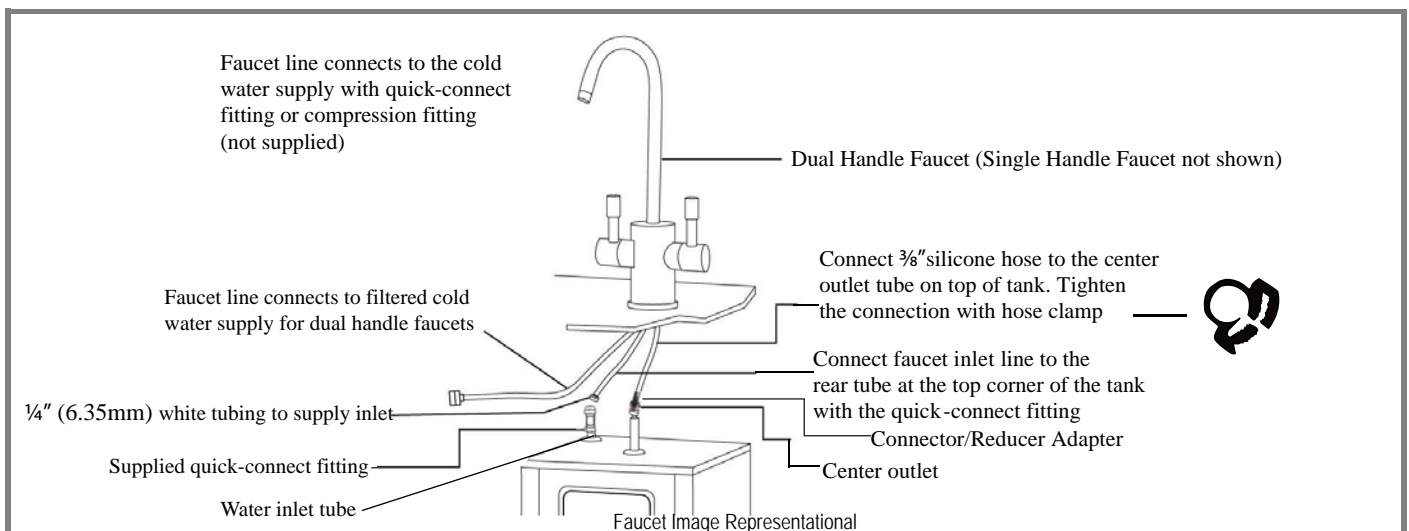


CONNECT FAUCET TO TANK

Connect 1/4" (6.4mm) faucet inlet line to the rear tube at the top corner of the tank with the quick-connect fitting supplied with the appliance. Push line straight into quick-connect fitting as far as possible for both connections. Connect silicone tube to the center outlet tube on top of tank. Use cable ties to fix the connection tightly. It will create a secure connection when properly installed.

Be sure the hose is not twisted or kinked. Hose may be shortened if necessary.

NOTE: DO NOT lengthen the hose - dispenser performance will be impaired and warranty will be void.



REFER TO PAGES 5-7 IN THE MANUAL FOR ADDITIONAL INFORMATION