

## Electric Shower Heater – i therm Shower

Issue 1 March 2015

### Product overview

Thermostatic electric shower with digital LED display, independent Temperature and Flow controls and easy push power button.

### Care features

- + Contemporary styling with high gloss finish
- + Easy push Power button maintaining Temp/Flow settings
- + Independent LED Temperature and flow Indicator and controls
- + Thermostatically Stabilised Temperature
- + Maximum water temperature protection
- + Phased and automatic shutdown
- + Co-ordinating Chrome accessories: adjustable riser rail, 1m chrome hose, 3 - mode handset and soap dish
- + 8.5kW and 9.5kW options
- + Rounded surfaces and edges for safety

### Installer features

- + Super-quick and easy installation
- + 8 electrical / 8 water entry points
- + Dual power blocks for left or right hand wiring
- + Retro-fit footprint covers most manufacturers' models
  - No re-tiling required
  - Existing cable & pipework compatible
- + 8.5kW / 9.5kW options
- + Comprehensive technical after-sales support



### Guarantee and approvals



Intertek



\* Optional



# Electric Shower Heater – i therm Shower

Issue 1 March 2015

## Product specification

### Plumbing Supply

Supply Source	Mains Pressure Cold Water Only
Minimum Dynamic Pressure	50 kPa (0.5 Bar)
Maximum Static Pressure	1000 kPa (10 Bar)
Optimal Minimum Dynamic Pressure	100 kPa (1 Bar) (recommended to ensure high performance)
Maximum Inlet Temperature	28°C
Minimum Inlet Temperature	3°C
Inlet Connection	15mm push-fit
Outlet Connection	1/2" BSP Male Thread Fitting

### Electrical Supply

Nominal Rating at 240V	9.5kW & 8.5kW
Supply Fuse/Circuit Breaker	(9.5kW 40/45A) & (8.5kW 35/40A)
Residual Current Device (RCD)	30 mA (must be fitted)
Continuously Rated	
Supply Cable	Refer to current wiring regulations and BS 7671 to determine minimum cable size. No larger than 10mm <sup>2</sup>
Isolation Switch (e.g. Pull Cord)	45 Amp Double Pole with 3mm Contact Separation

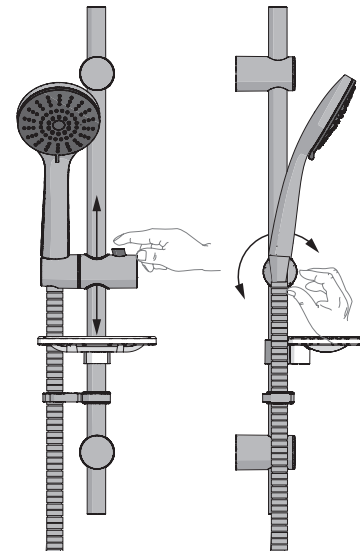
### Physical

Height (H)	380mm
Width (W)	230mm
Depth (D)	85mm
Footprint Height (H2)	345mm
Footprint Width (W2)	210mm
Water Ingress Rating	IPX4
Water and Cable Entry Points	Top, Bottom or Back
Shower Drain Pump Connections	Suitable for AKW M Series, (flow sensor) or AKW A4 (flow switch)

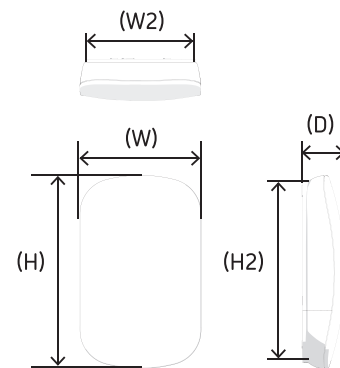
### Flow Rates

Low Flow	3.5 LPM
Med Flow	5.5 LPM
High Flow	9 LPM

### Riser Rail



### Dimensions



## Electric Shower Heater – itherm Shower

Issue 1 March 2015

### Product codes

29024	itherm White 8.5kW Thermostatic Electric Shower + Std Kit
29025	itherm White 9.5kW Thermostatic Electric Shower + Std Kit
29014	Pump Wireless Module (optional)
29013	iShower Remote Control (optional)

### Product compatibility

- + All AKW digital and manual shower pumps
- + Wireless pumped interface
- + Bluetooth<sup>®</sup> Smart wireless remote control
- + iShower App for phone

### Entry points

