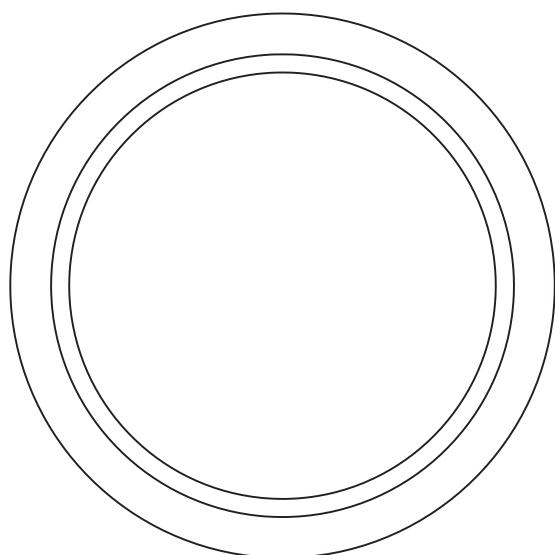


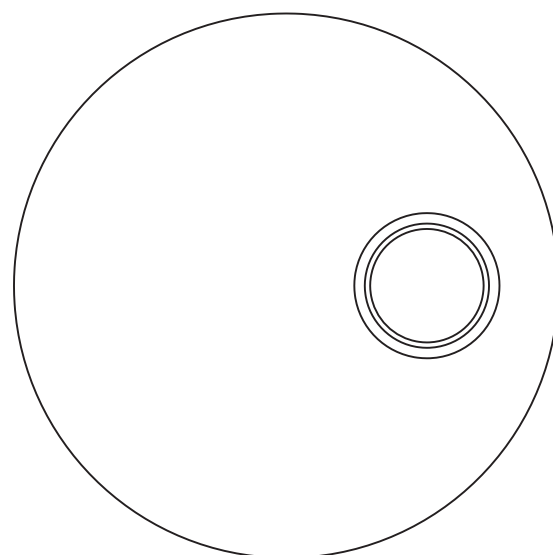
MODE

BATHROOMS

ROUND LED MIRRORS



3003-L-60



3005-L-60

Exclusively available @

VictoriaPlum.com

VictoriaPlum.com
0344 804 48 48

BEFORE YOU START, HERE IS SOME IMPORTANT INFORMATION.

1) General Information

Please inspect this product upon delivery. Any missing parts or manufacturing defects must be reported immediately to the supplier. Damage or defects reported later will not be accepted. TAKE CARE WHEN HANDLING GLASS PARTS- AVOID HEAVY CONTACT BETWEEN THE GLASS EDGES AND ANY HARD SURFACE. Glass breakage claims will not be accepted after the product has been unpacked.

2) Additional Notes

Please read these instructions carefully before starting installation.

Special care should be taken when drilling walls to avoid hidden pipes or electrical cables.

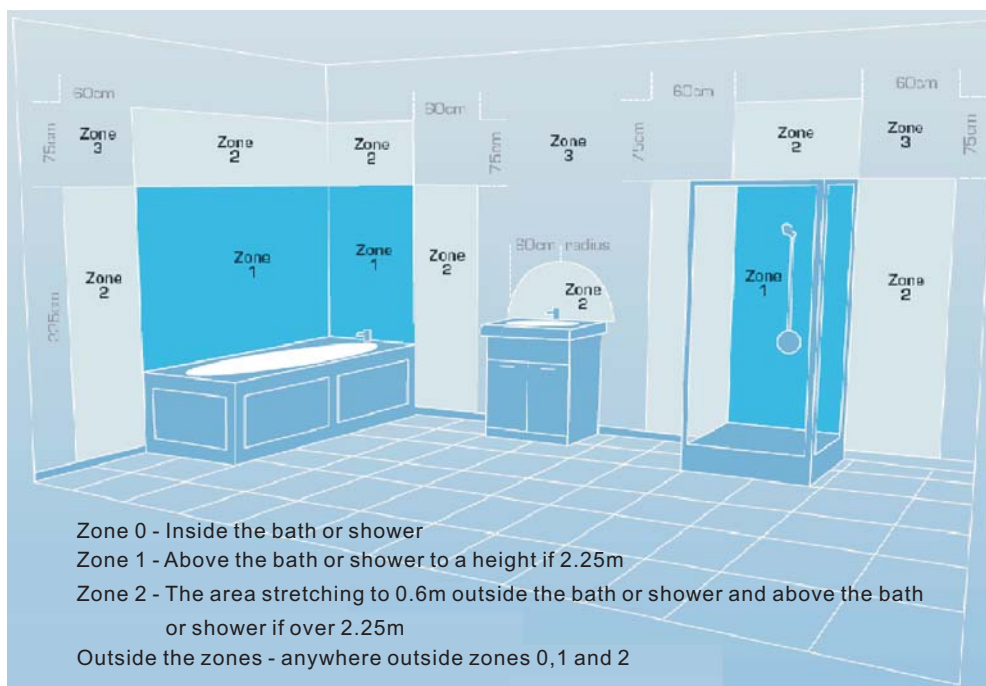
Note: This product may require two people to install.









This product should ONLY be installed by a qualified electrician.

WHERE TO INSTALL THIS MIRROR

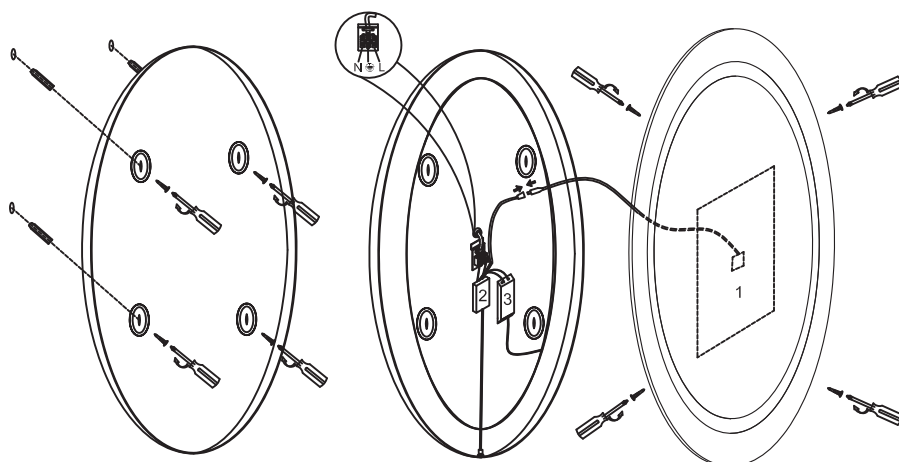
This mirror is IP44 rating and is suitable for installation in Zones 2 or beyond.



TOOLS REQUIRED

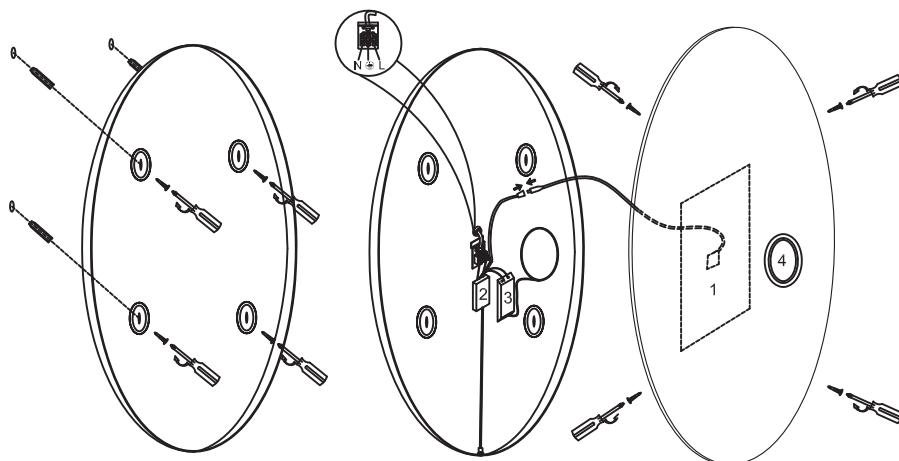
Description	Parts Image	Description	Parts Image
Tape Measure		Drill	
Spirit Level		Cross Head Screwdriver	
Pencil		Ø8mm Drill Bit	

ASSEMBLY DRAWING



3003-L-60

- 1 Demister pad
- 2 IR motion sensor
- 3 LED driver



3005-L-60

- 1 Demister pad
- 2 IR motion sensor
- 3 LED driver
- 4 3x magnifying mirror

INSTALLATION STEPS

STEP 1

ISOLATE THE MAINS POWER SUPPLY TO THE ELECTRICAL FEED THAT WILL POWER YOUR MIRROR.

STEP 2

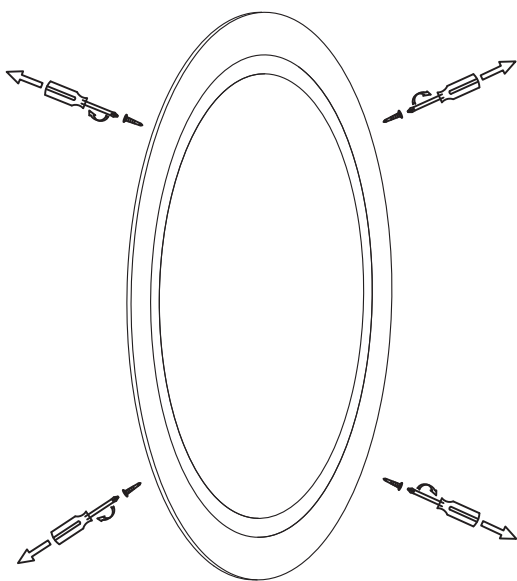
Do not stand the mirror upright on hard surfaces whilst fitting, as this will damage the corners. Unscrew the front of the mirror from the metal back box.

STEP 3

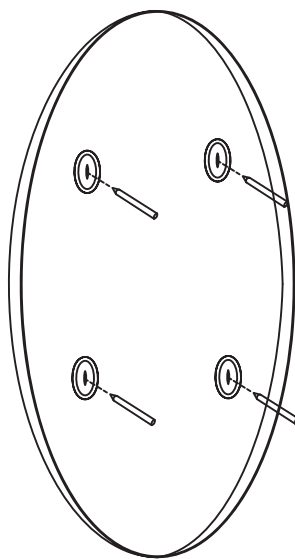
Put the back box on the wall, ensuring your power supply cable will reach the connection block. Carefully mark the positions of the 4 mounting holes on the wall through the predrilled holes in the back box, using a pencil and a spirit level.

STEP 4

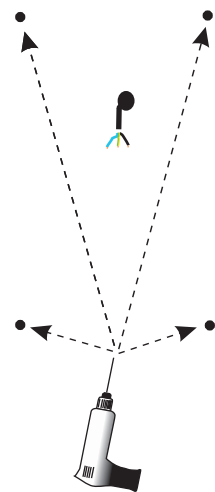
Remove the back box from the wall, and drill the 4 holes into the wall using a suitable drill bit.



STEP 2



STEP 3



STEP 4

STEP 5

Insert the wall plugs and fix the back box to the wall using the screws provided.

NOTE: As the mounting surfaces vary, please ensure adequate fixings are used.
Fixings supplied are not suitable for all mounting surfaces, e.g. plaster board.

STEP 6

Wire the main power supply to the terminal block on the back box as belows.

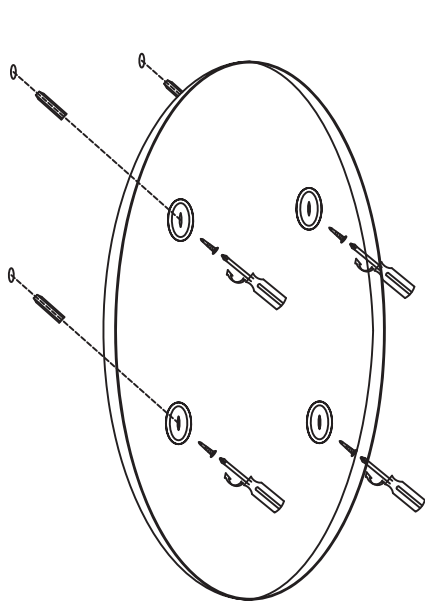
RED OR BROWN --- TERMINAL MARKED L (LIVE)

BLACK OR BLUE --- TERMINAL MARKED N (NEUTRAL)

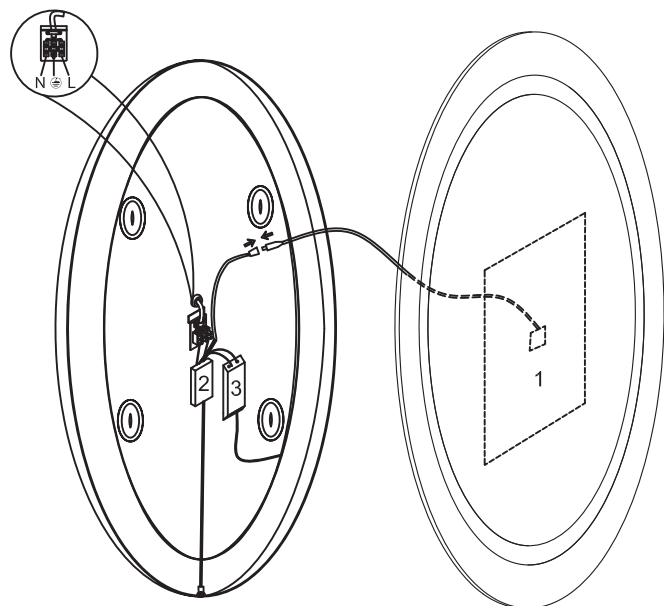
GREEN&YELLOW --- TERMINAL MARKED E OR ⊕

WARNING: This appliance must be earthed.

IMPORTANT: Before you fit the front mirror, please connect the wirings of demister pad for all of the mirrors.



STEP 5



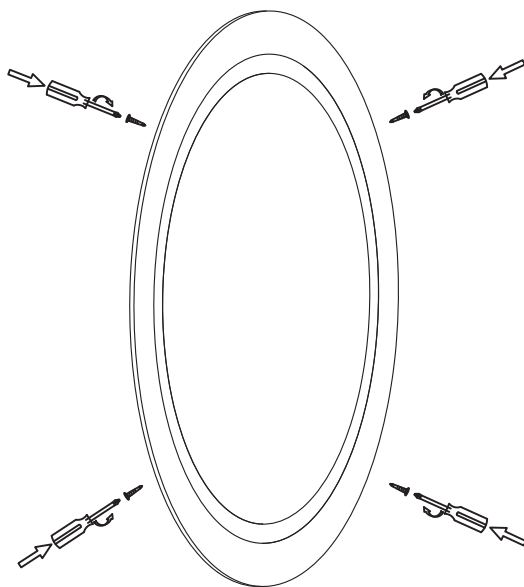
STEP 6

STEP 7

Screw the front mirror to the back box using the screws provided.

STEP 8

Peel off the protective film from the mirror and clean with a soft cloth.



STEP 7

CARE AND MAINTENANCE

1) AFTER CARE INSTRUCTIONS

It is recommended that mirrors are cleaned with a soft, dry, non-abrasive cloth. Do not use abrasive cleaning materials, or chemical cleaners as this will damage the mirror surface and edges.

2) MAINTENANCE

The supplier accepts no liability for any type of use of care other than those contained in this instruction. The supplier reserves the right to introduce technical changes without notice.

COMMITMENT TO QUALITY

It is our intention that the quality and functions of this product are of the highest standard. If you require help, we advise you firstly contact a qualified electrician. However we understand that this may not always be the case. So should you experience any problems, please contact our customer services quoting the following:

Product name: Round LED Mirrors

Product code: As shown on the first page

Customer help line number: 0344 804 48 48

NOTE:

The packaging you have received with your product is 100% recyclable.

It must be disposed of in a safe and environmentally friendly way.

We suggest you take it to the local landfill site and discard it in the designated bins.