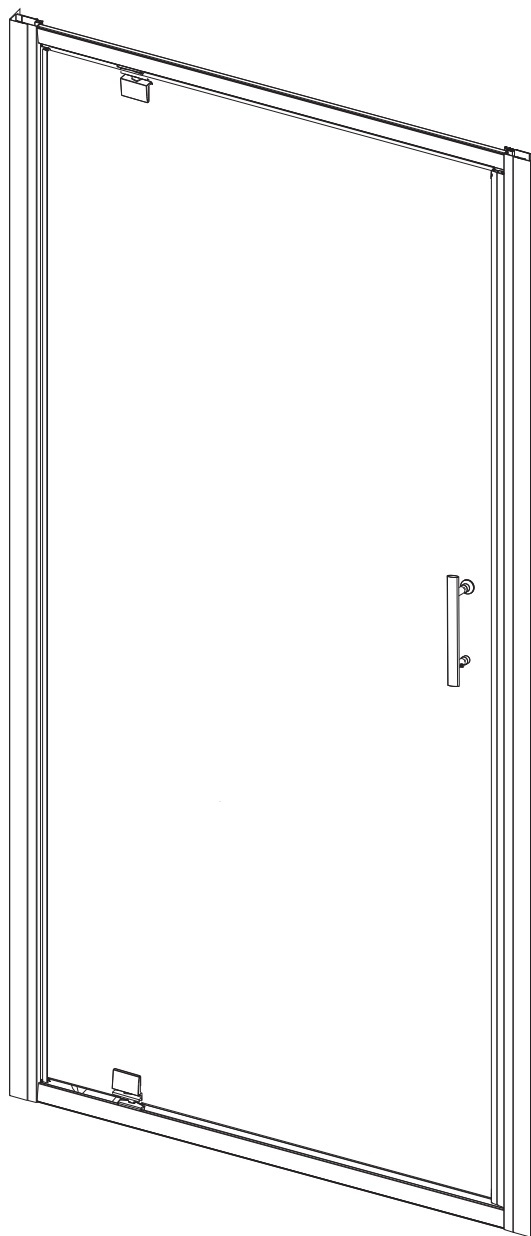


6mm PIVOT DOOR

Refer To Sheet 9 For Relevant Product Codes



Decide which hand is required. left hand opening illustrated.
Change the hand by turning the door upside down.

BEFORE YOU START, HERE IS SOME IMPORTANT INFORMATION

1) General Information

Please inspect this product upon delivery, any missing parts or manufacturing defects must be reported immediately to the supplier. Damage or defects reported later will not be accepted. **TAKE CARE WHEN HANDLING GLASS PARTS - AVOID HEAVY CONTACT BETWEEN THE GLASS EDGES AND ANY HARD SURFACE.**

Glass breakage claims will not be accepted after the product has been unpacked.

Please note: Aluminium is a soft metal, and undergoes a series of extrusion, fabrication, polishing and anodising processes in order to create your finished shower enclosure. Some light surface marks are normal, and is a result of the manufacturing processes. Quality control has ensured that this item is of a good standard, and is fit for purpose.

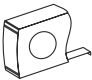


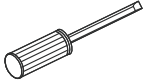
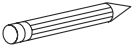
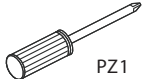

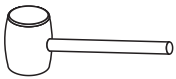
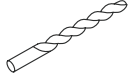

2) Additional Notes


Please read these instructions carefully before starting installation.

Special care should be taken when drilling walls to avoid hidden pipes or electrical cables.

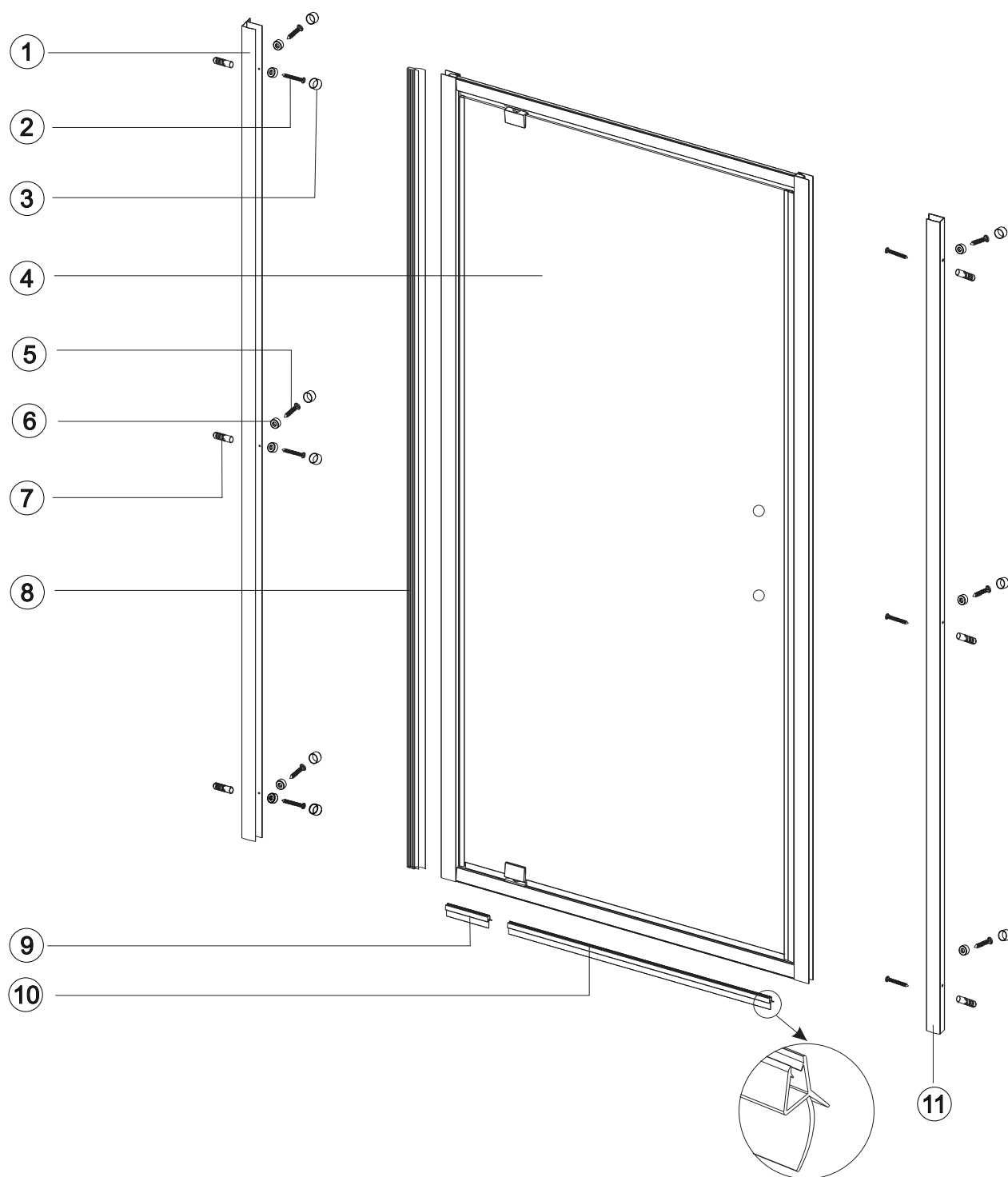
Note: this product is heavy and may require two people to install.

TOOLS REQUIRED

DESCRIPTION	PART IMAGE	DESCRIPTION	PART IMAGE
Tape measure		Drill	
Spirit level		Flat-head Screwdriver	
Pencil		Cross head Screwdriver	
Ø6mm Drill bit		Mallet	
Ø3mm Drill bit		Silicone Sealant	

 This product is heavy and may require two people to install.

ASSEMBLY INSTRUCTIONS-DRAWING



(1) 1x Wall Profile A

(2) 6x Screws 4x30

(3) 9x Screw Cover Caps

(4) 1x Pivot Door

(5) 6x Screws 4x12

(6) 9x Screw Clips

(7) 6x Wall Plugs

(8) 1x Vertical Seal

(9) 1x Bottom Seal A

(10) 1x Bottom Seal B

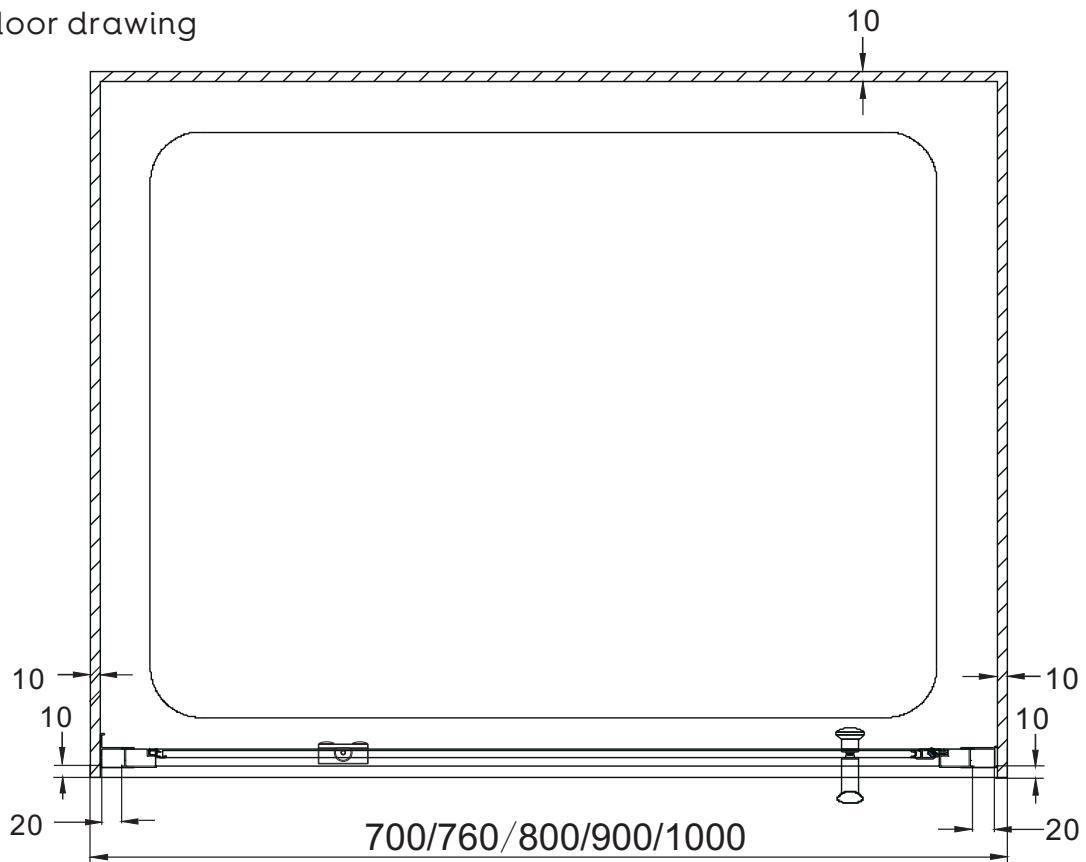
(11) 1x Wall Profile B

ASSEMBLY INSTRUCTIONS – RECESS FITTING

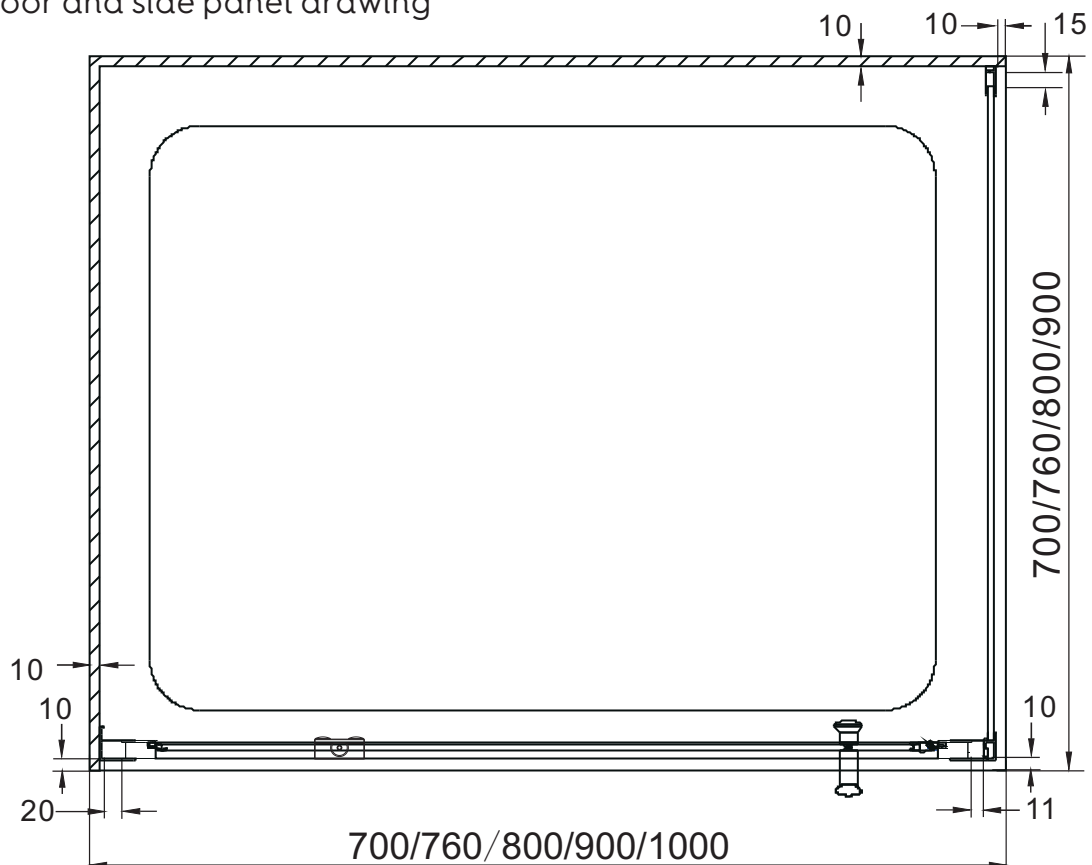
If you require help, we advise you to contact a competent plumber

NOTE: This product is fully reversible. To install the opposite hand to what is shown please reverse the installation method/turn upside down

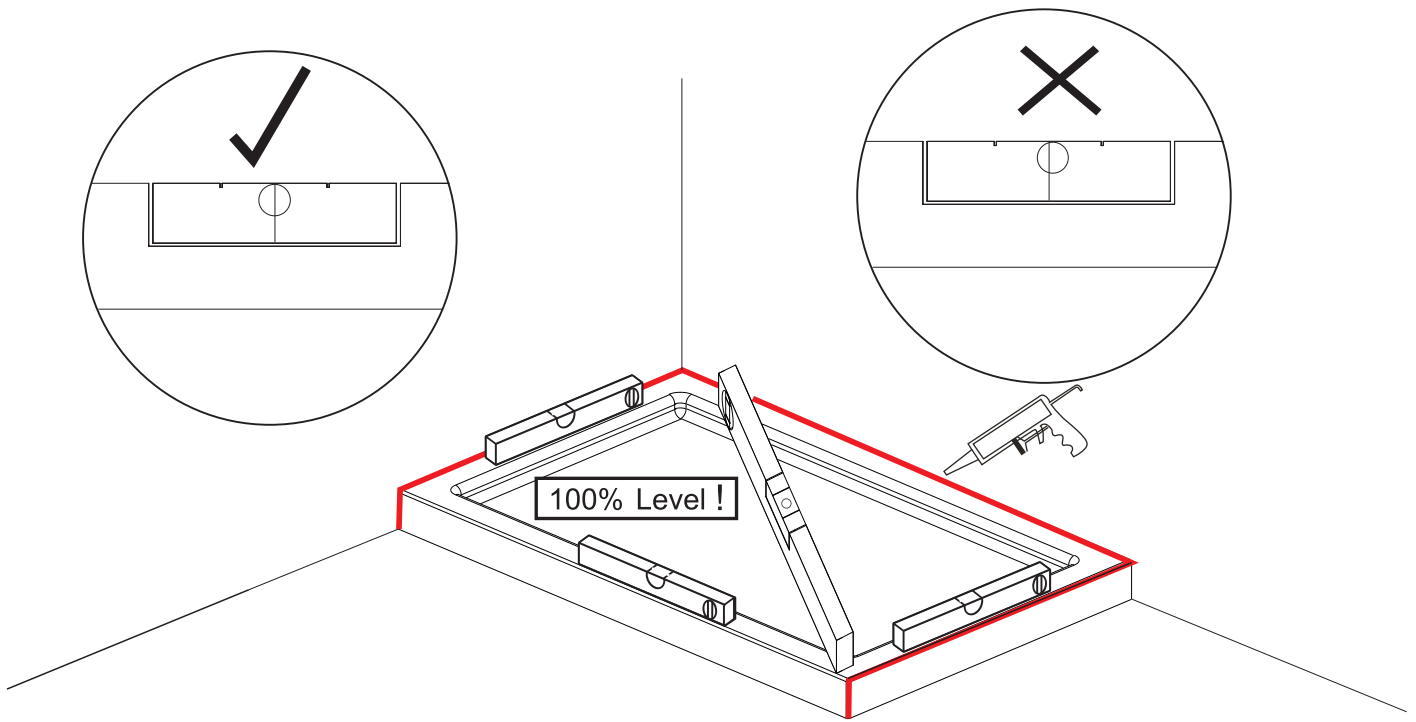
Fitted pivot door drawing



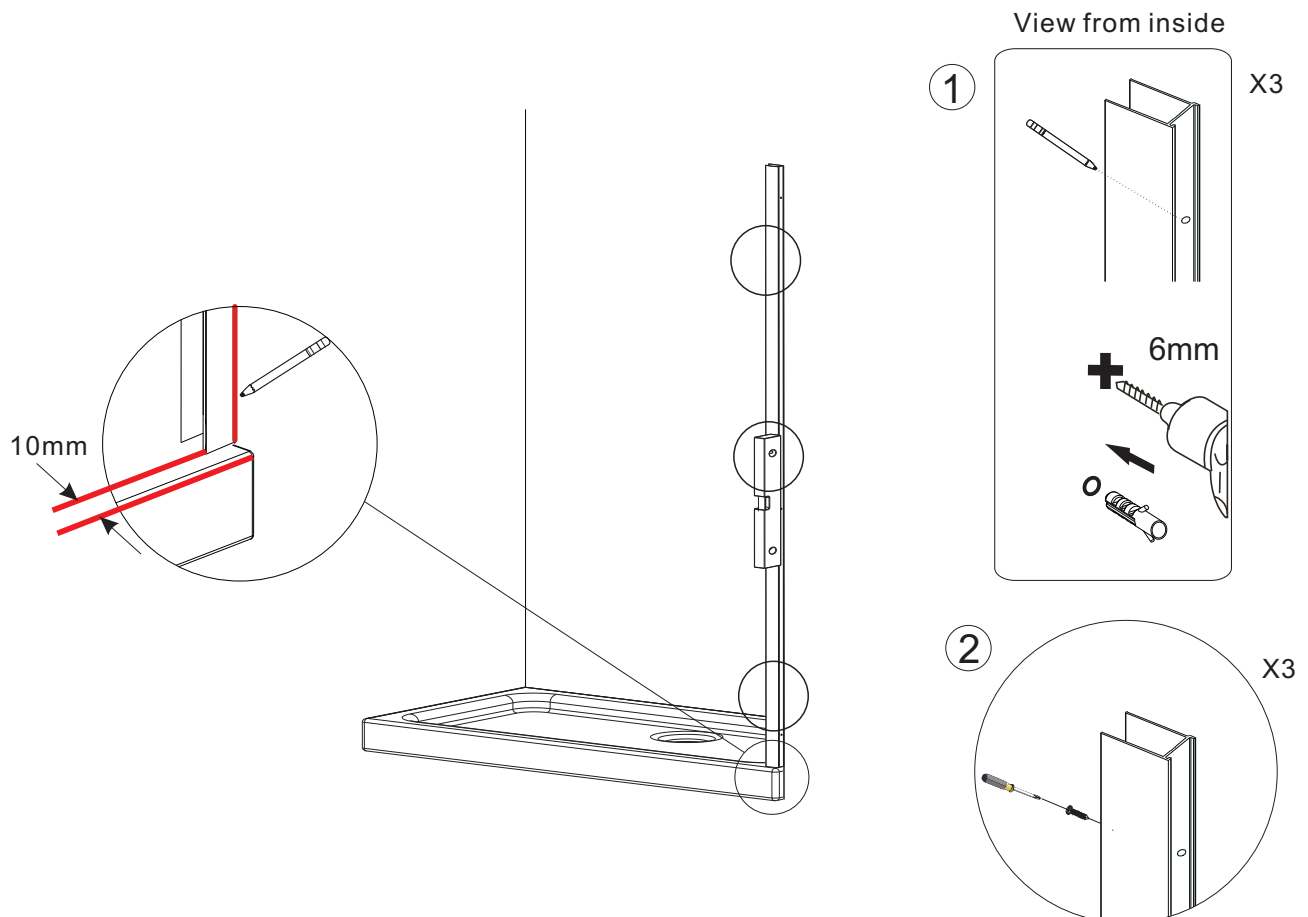
Fitted pivot door and side panel drawing



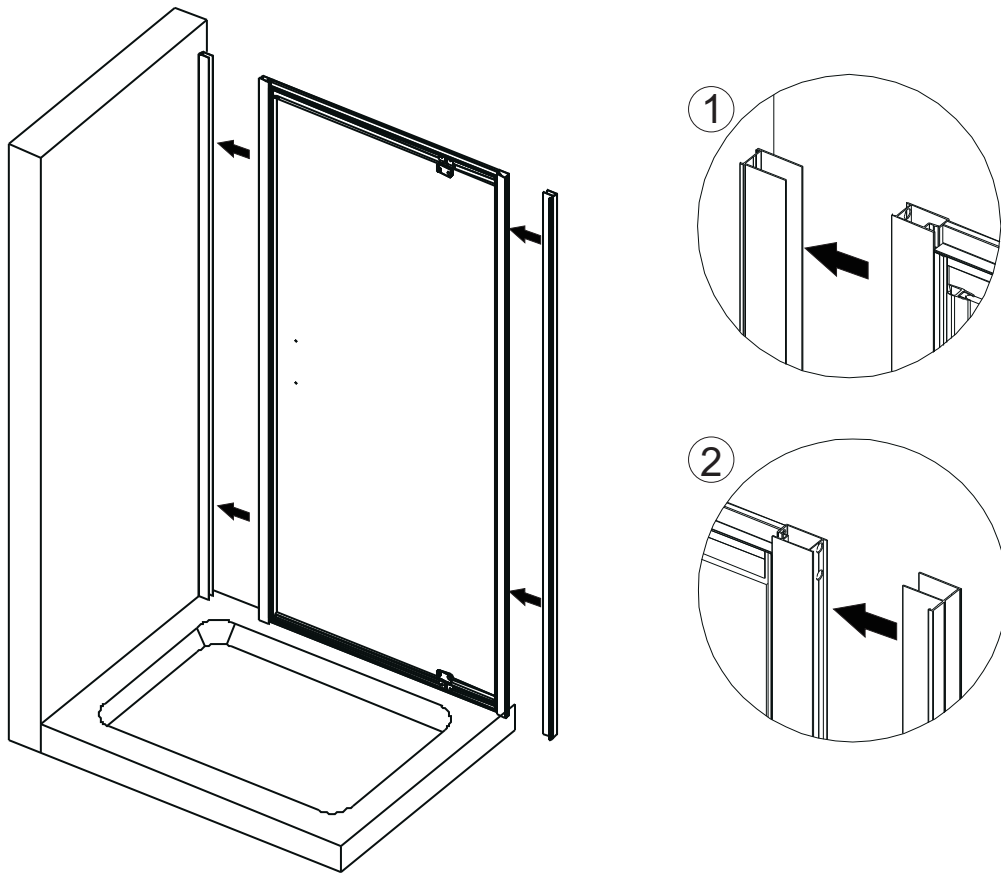
Step 1 Make sure the tray is level, using a spirit level, before installing this shower panel / door



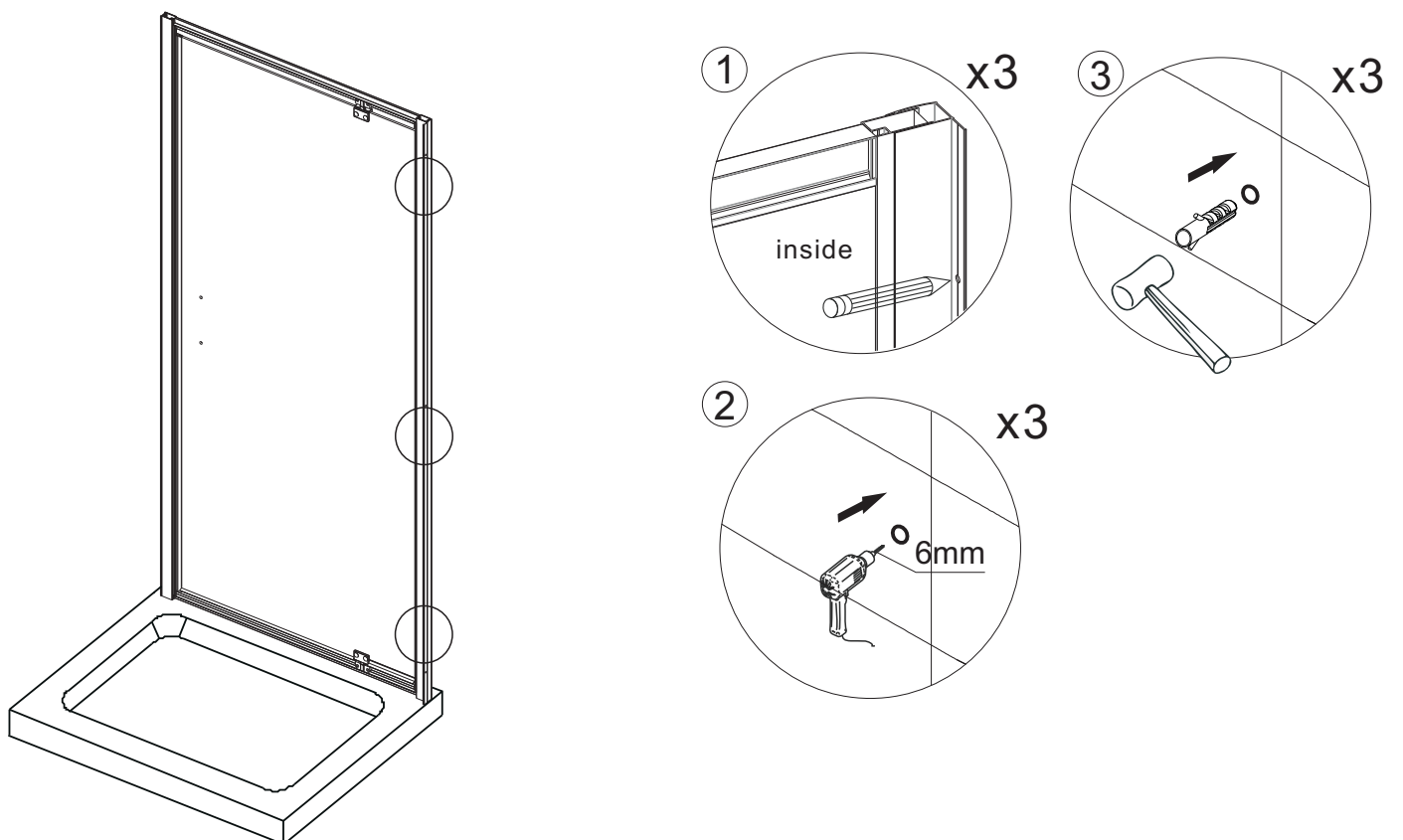
Step 2 Mark wall fixing positions of handle side wall profile. Drill wall, and screw to wall



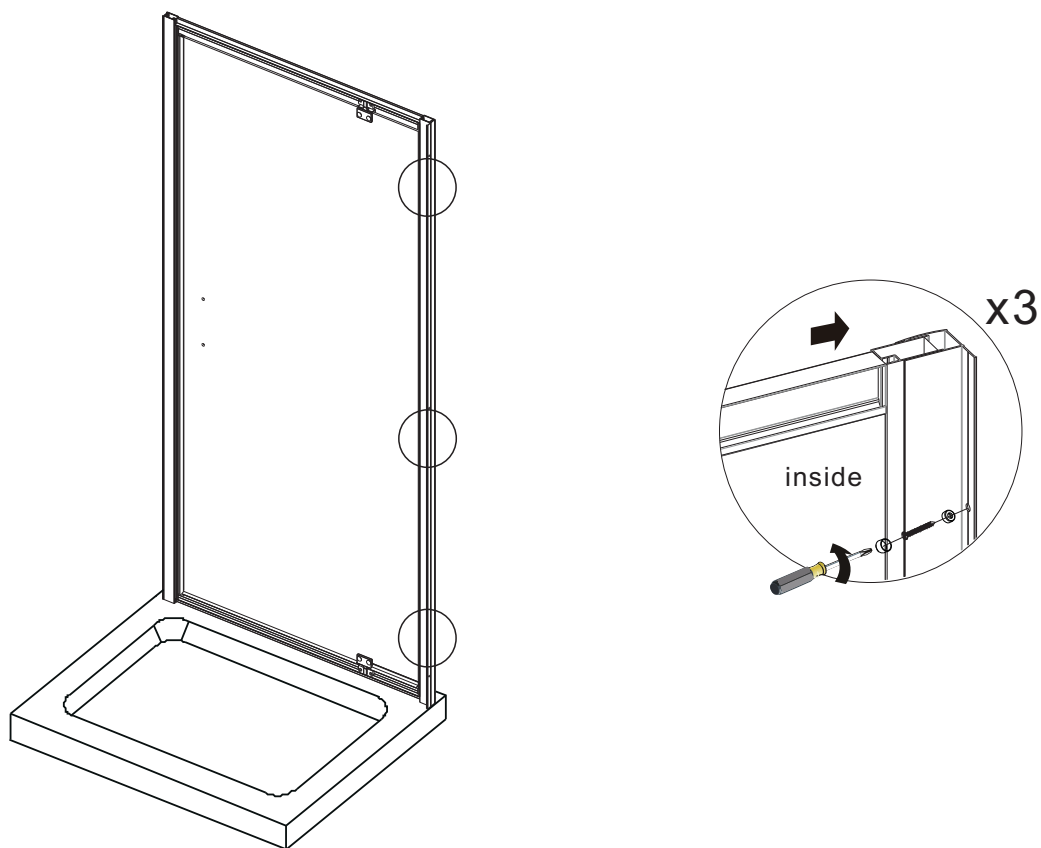
Step 3 Slide other wall profile onto door, lift door onto tray



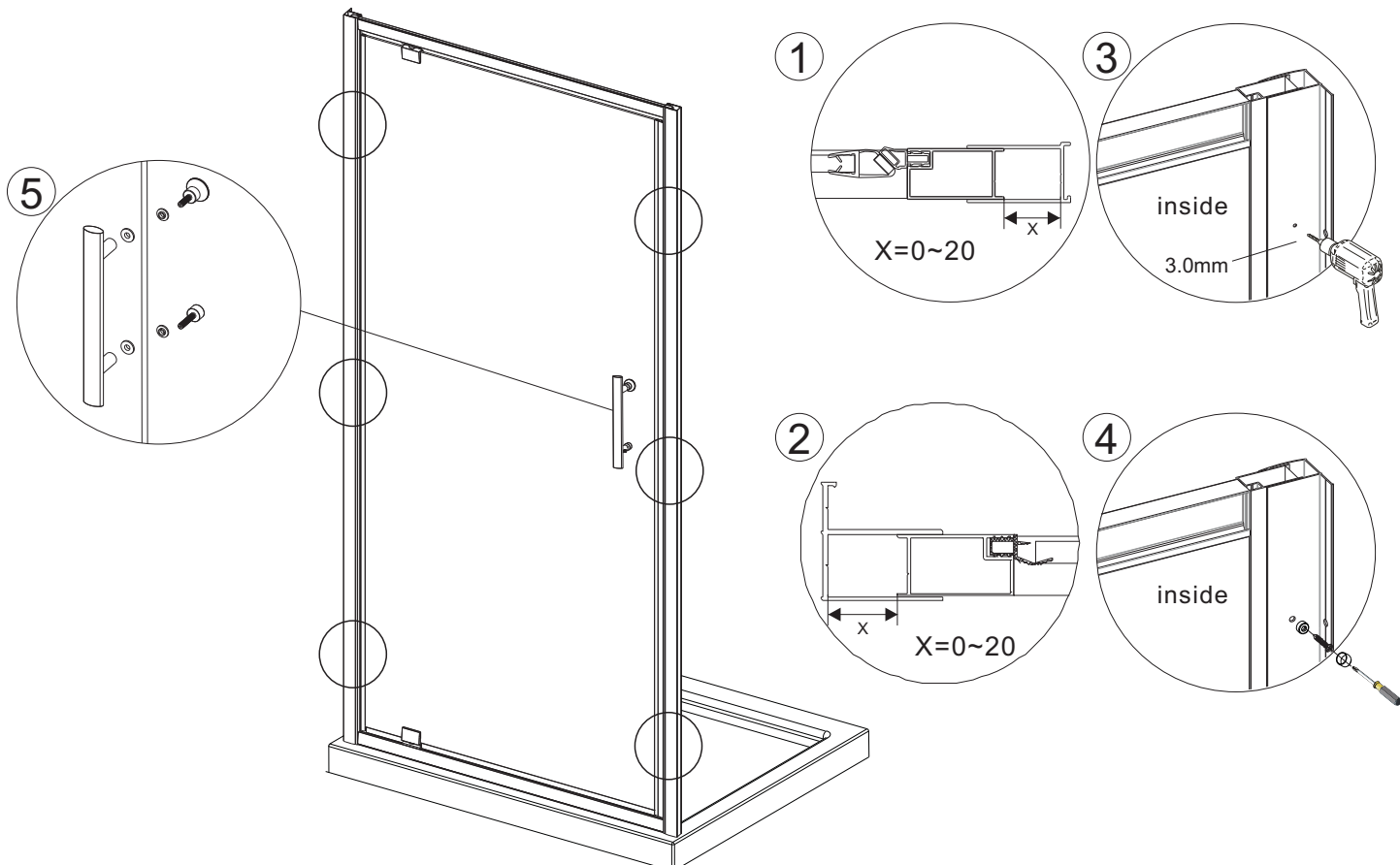
Step 4 Mark wall fixing positions of hinge side wall profile and drill wall



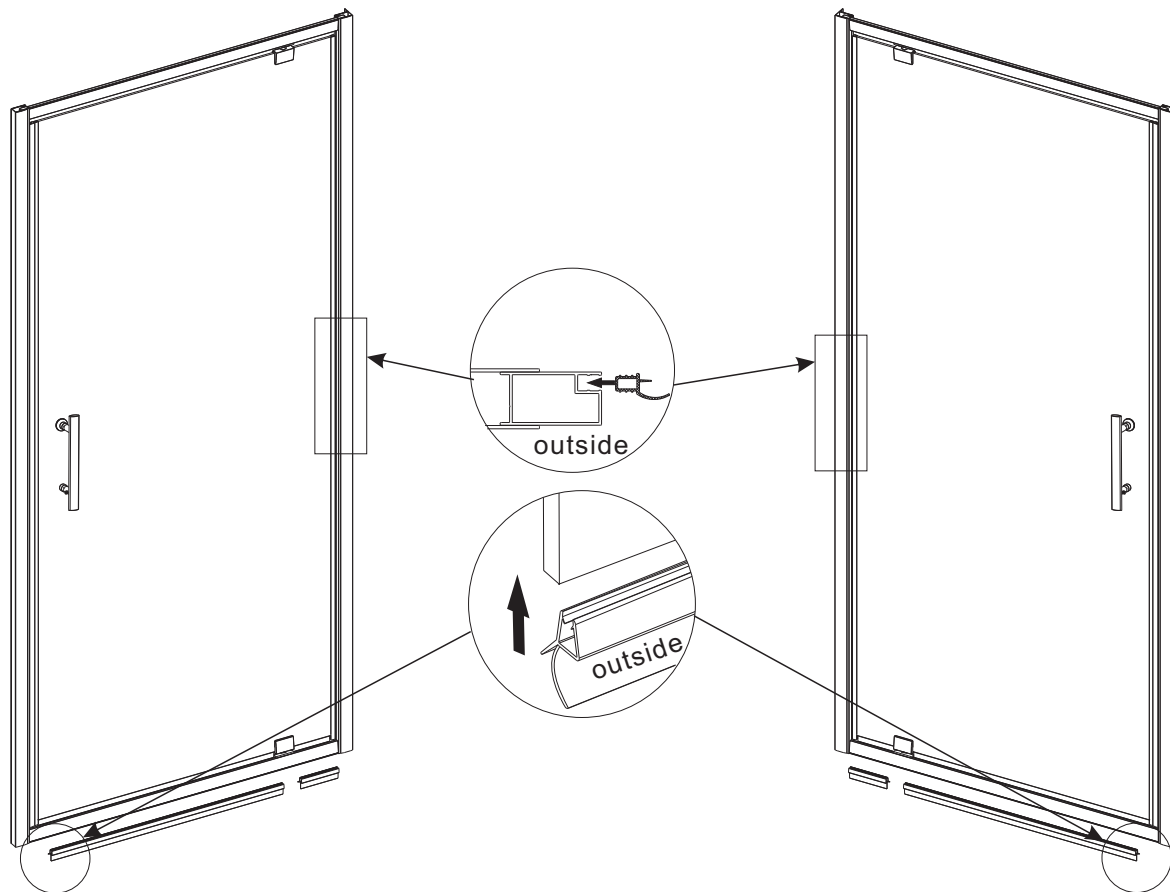
Step 5 Lift door back onto the tray , and fitting the hinge side wall profile



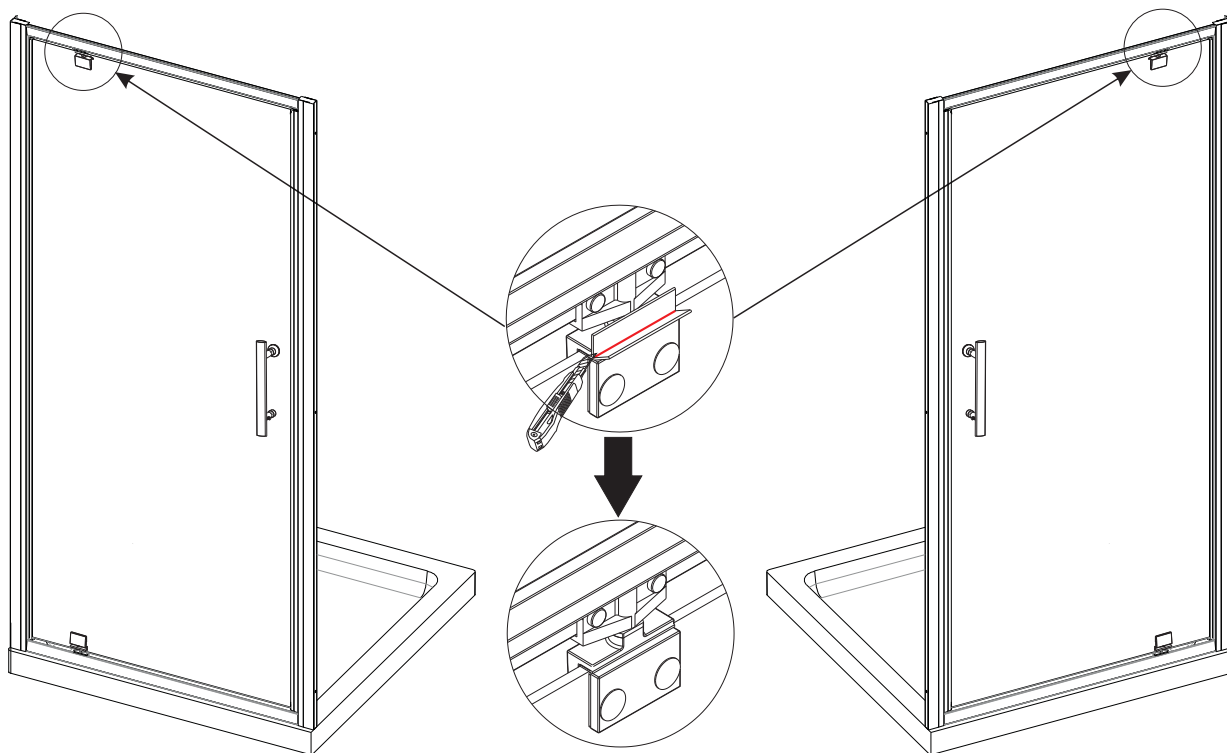
Step 6 Fitting handle and fixing door frame to wall profiles



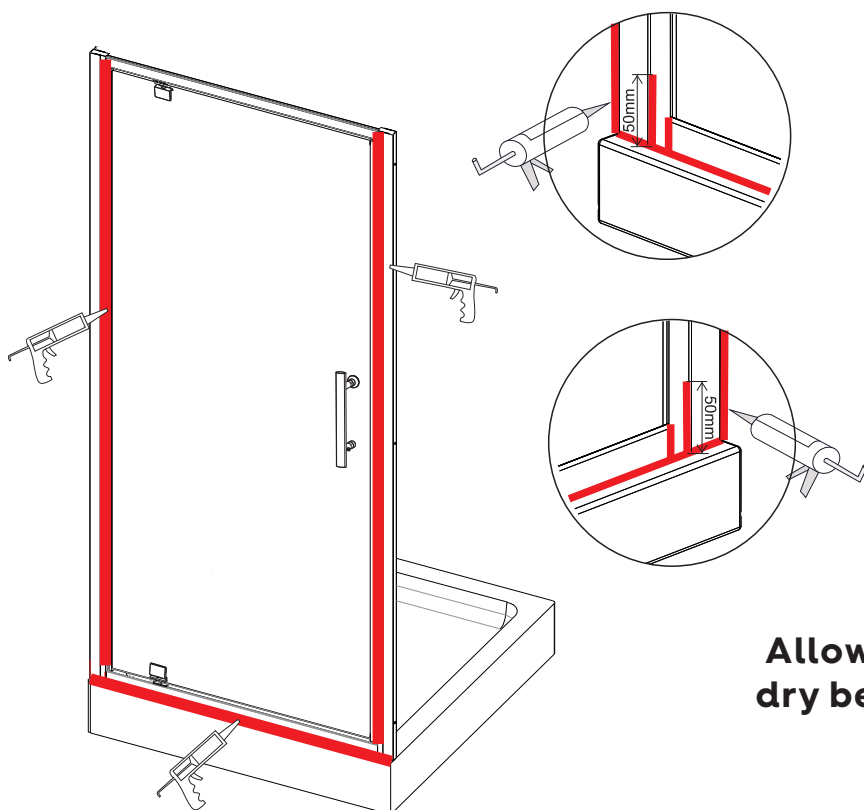
Step 7 Fitting the seals



Step 8 Cut the seal on the top pivot bracket side



Step 8 Silicone the outside edges



Allow 24 hours for silicone to dry before use. Silicone on the outside edge only

CARE AND MAINTENANCE

1) AFTER CARE INSTRUCTIONS

Regularly clean your shower product with warm soapy water to prevent lime scale build up. Do not use abrasive cleaning fluids or materials, or strong chemical cleaners as this will damage the product surface.

2) MAINTENANCE

Clean the plastic parts with a cloth and mild detergent. Never use any abrasive creams, dissolvents, acetone or detergents and disinfectants that contain chlorine. The supplier accepts no liability for any type of use of care other than those contained in these instructions. The supplier reserves the right to introduce technical changes without notice.

COMMITMENT TO QUALITY

It is our intention that the quality and functions of this product are of the highest standard. If you require help we advise you firstly contact a competent plumber. However we understand that this may not always be the case, so should you experience any problems please contact our customer services quoting the following:

Product name: 6mm Pivot Door

Product code: BPD704/BPD764/BPD804/BPD904/BPD1004

Customer help line number: 0344 804 48 48

INSTALLERS NOTES



Victoria Plum Limited, Bridgehead Business Park
Hesle, HU13 0DG

18

EN 14428 : 2015
DOP No.:J180709001-1

Shower enclosures with aluminium
profiles and safety glass

Essential characteristics	Performance	Harmonised technical specification
Cleanability	Pass	Clause 4.2 of EN 14428:2015
Impact resistance/shatter properties	Pass	Clause 4.3 of EN 14428:2015
Durability	Pass	Clause 4.4 of EN 14428:2015

The packaging you have received with your product is 100% recyclable.
It must be disposed of in a safe and environmentally friendly way.
We suggest you take it to the local landfill site and discard in the designated bins.