

TECHNICAL DATA SHEET

CLIO Clio Bath Filler Chrome Plated

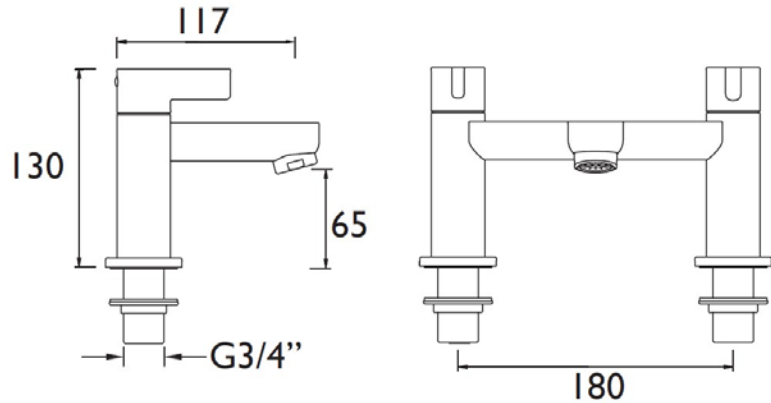
Product Specification

Product Code:	CLI BF C
Finish:	Chrome
Product Type:	Contemporary
Construction:	Body is of brass construction and is designed to conform to BS EN 200
Valve Type:	¾" CD ¼ Turn
Supply:	Suitable for all plumbing systems Preferably Balanced
Inlet:	¾" BSP
Working Pressures:	Min 0.2bar, Max 5.0bar



Additional Information

- Chrome plated to BS EN 248
- Supplied with metal handles
- Supplied with metal backnuts



Technical Advice: For further information please call 0844 7016273 or email customer@bristan.com

Guarantee: 5 years covering manufacturing faults

Flow Rates (litres per minute)

System Pressure	0.2bar	0.3bar	0.5bar	1.0bar	3.0bar	5.0bar
CLI BF C (Mixed)	26.9	34.6	46.4	66.5	115.2	148.7